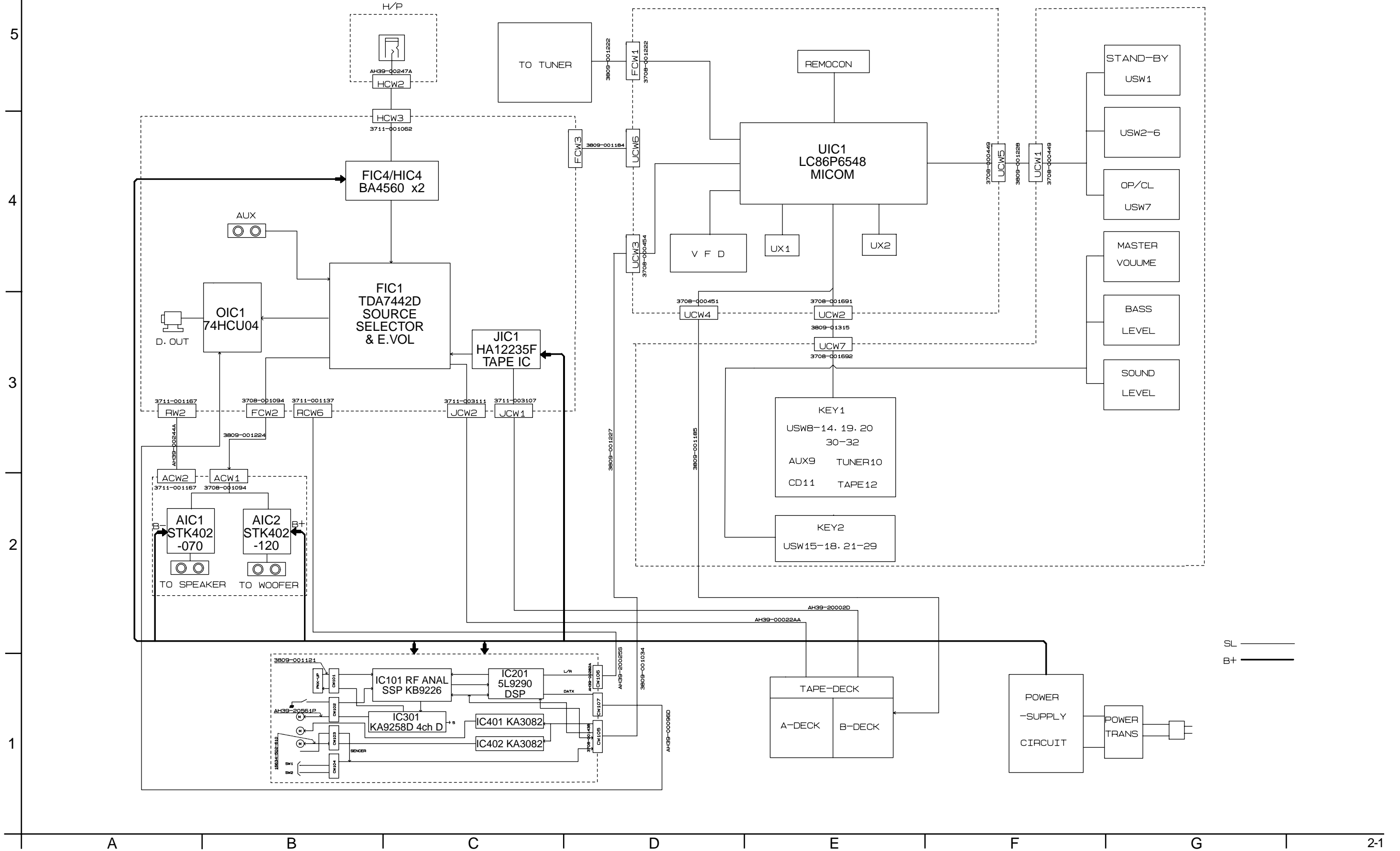
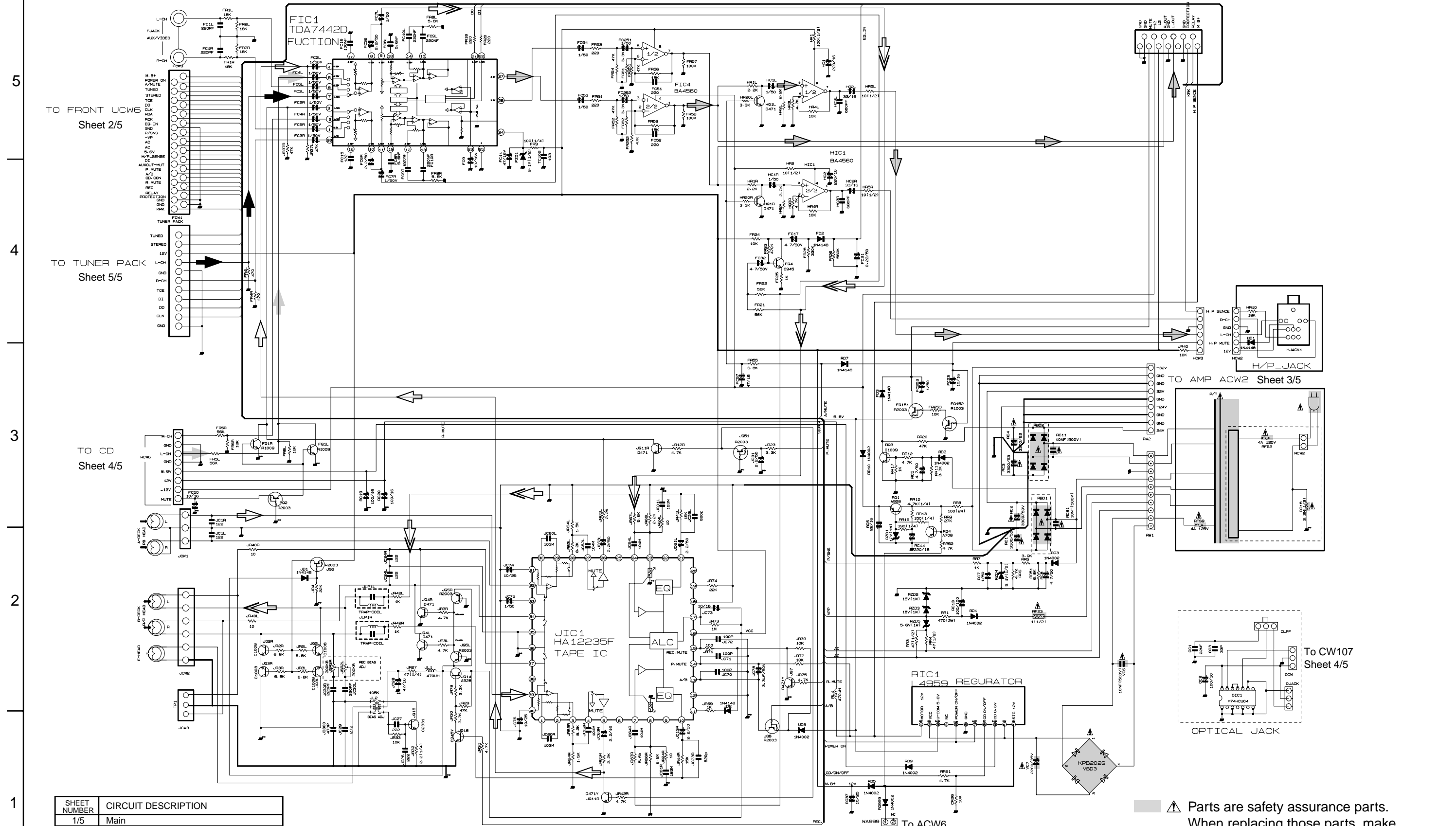


Block diagram



Standard schematic diagrams

■ Main section



TO FRONT UCW6
Sheet 2/5

TO TUNER PACK
Sheet 5/5

TO CD
Sheet 4/5

TO AMP ACW1
Sheet 3/5

TO AMP ACW2
Sheet 3/5

To CW107
Sheet 4/5

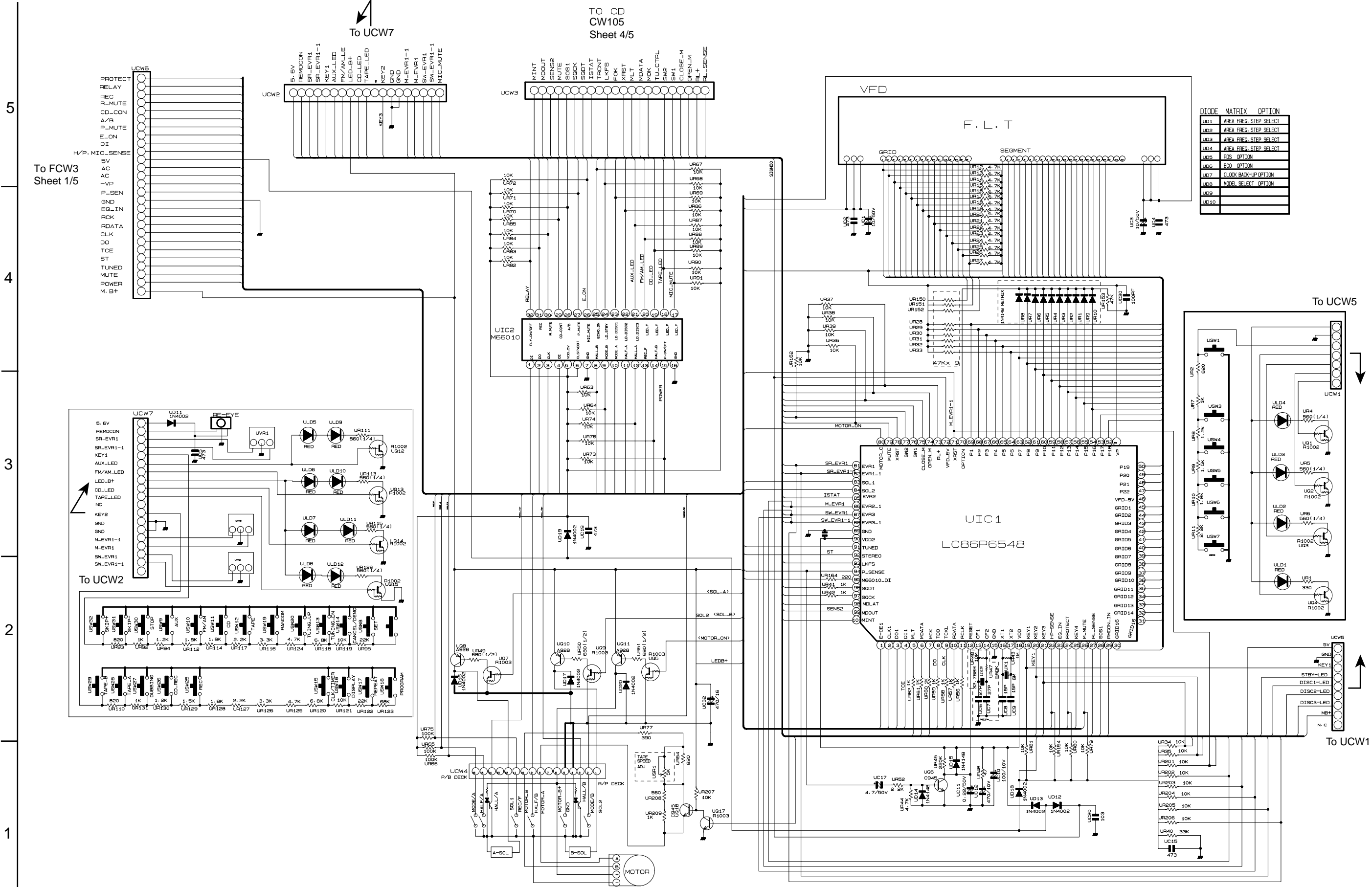
SHEET NUMBER	CIRCUIT DESCRIPTION
1/5	Main
2/5	FL display & System control
3/5	Amp.
4/5	CD
5/5	Tuner

MAIN signal
 TUNER signal
 TAPES P.B. signal
 CD signal
 TAPES REC. signal

Parts are safety assurance parts.
 When replacing those parts, make sure to use the specified parts.

FL display & System control section

TO CD
CW105
Sheet 4/5



DIODE MATRIX OPTION	
UD1	AREA FREQ. STEP SELECT
UD2	AREA FREQ. STEP SELECT
UD3	AREA FREQ. STEP SELECT
UD4	AREA FREQ. STEP SELECT
UD5	RDS OPTION
UD6	ECD OPTION
UD7	CLOCK BACK-UP OPTION
UD8	MODEL SELECT OPTION
UD9	
UD10	

5

4

3

2

1

A

B

C

D

E

F

G

■ Amp. section

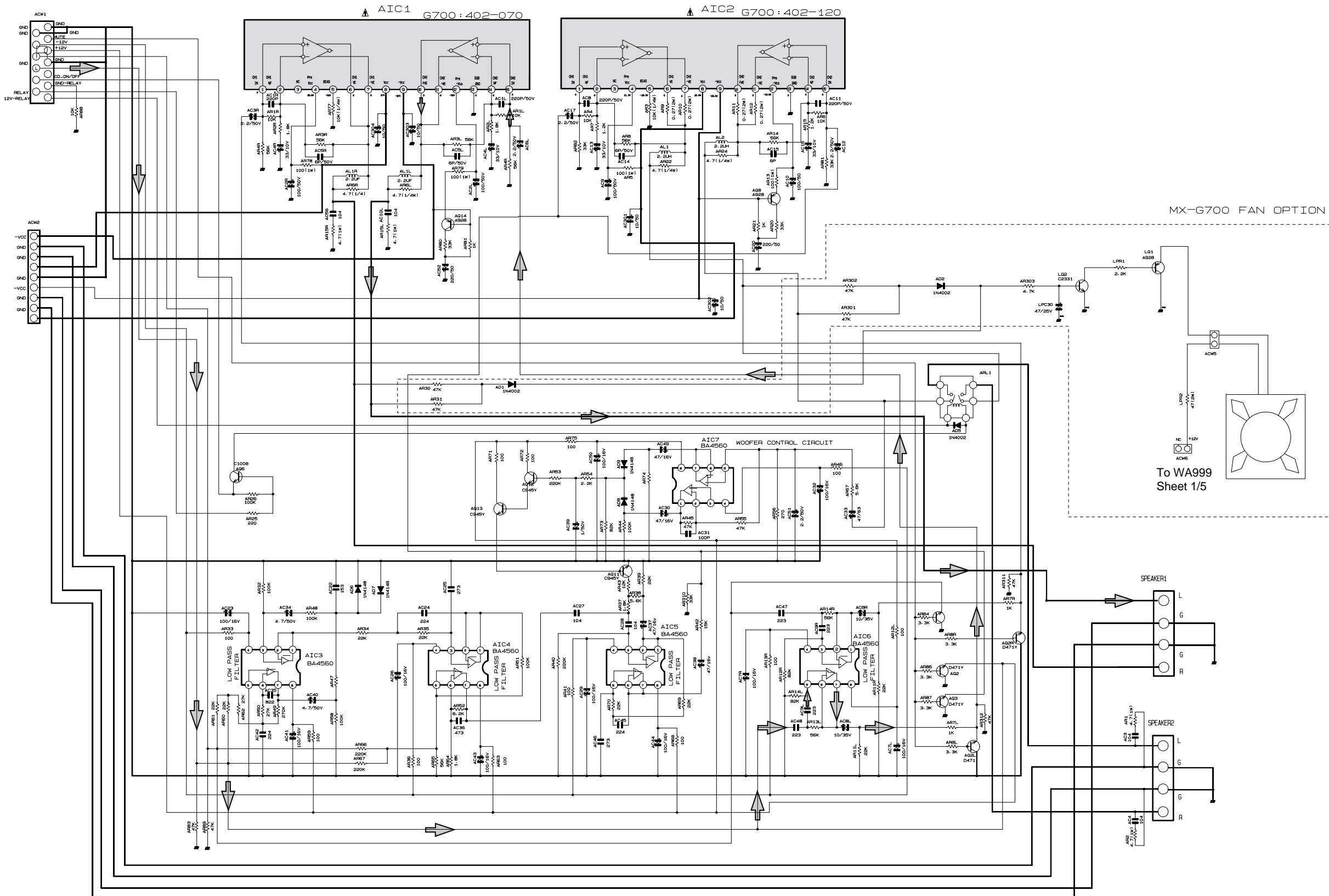
5
4
3
2
1

To FCW2
Sheet 1/5

To RW2
Sheet 1/5

MX-G700 FAN OPTION

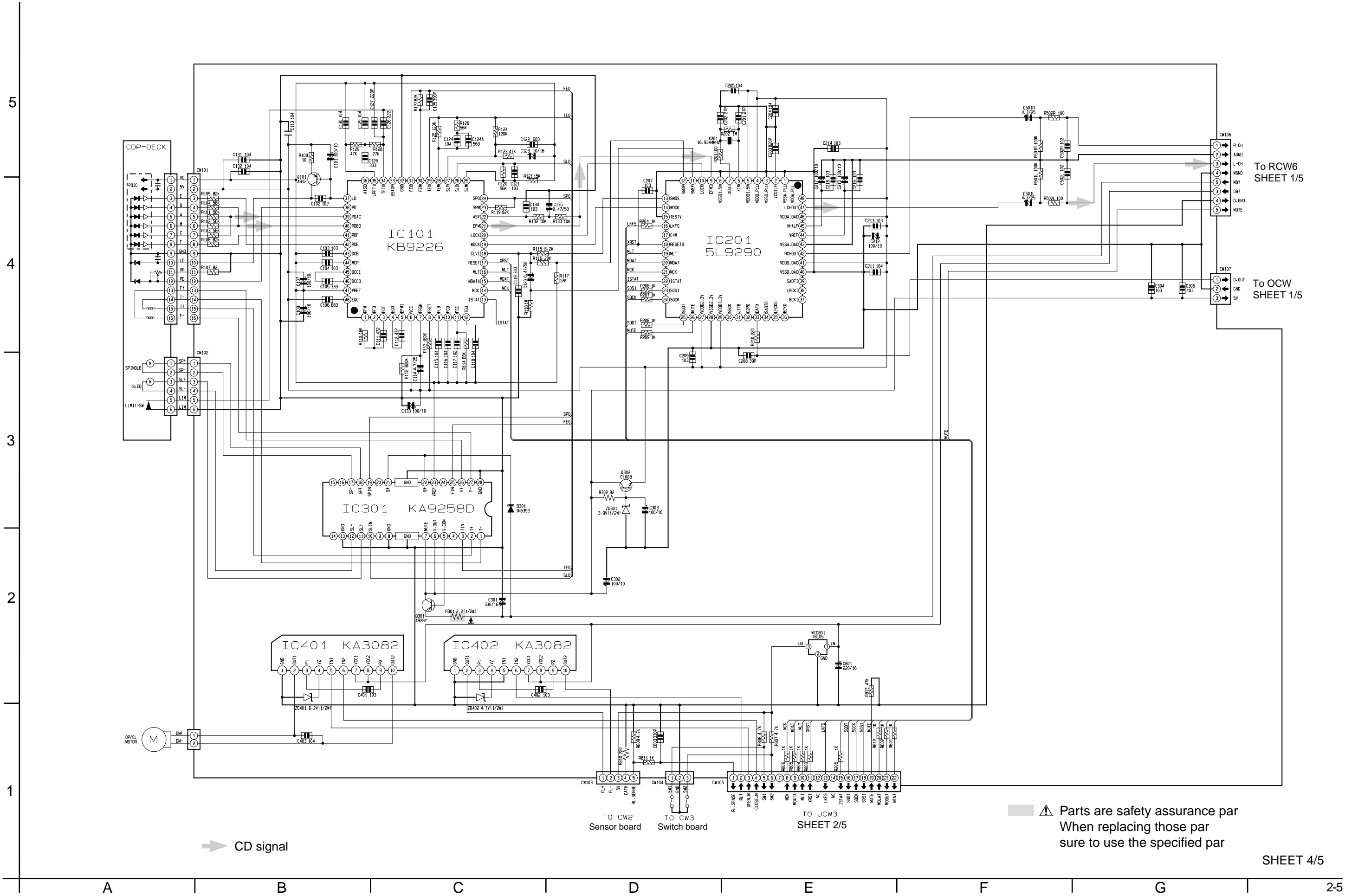
To WA999
Sheet 1/5



▲ Parts are safety assurance parts.
When replacing those parts, make
sure to use the specified parts.

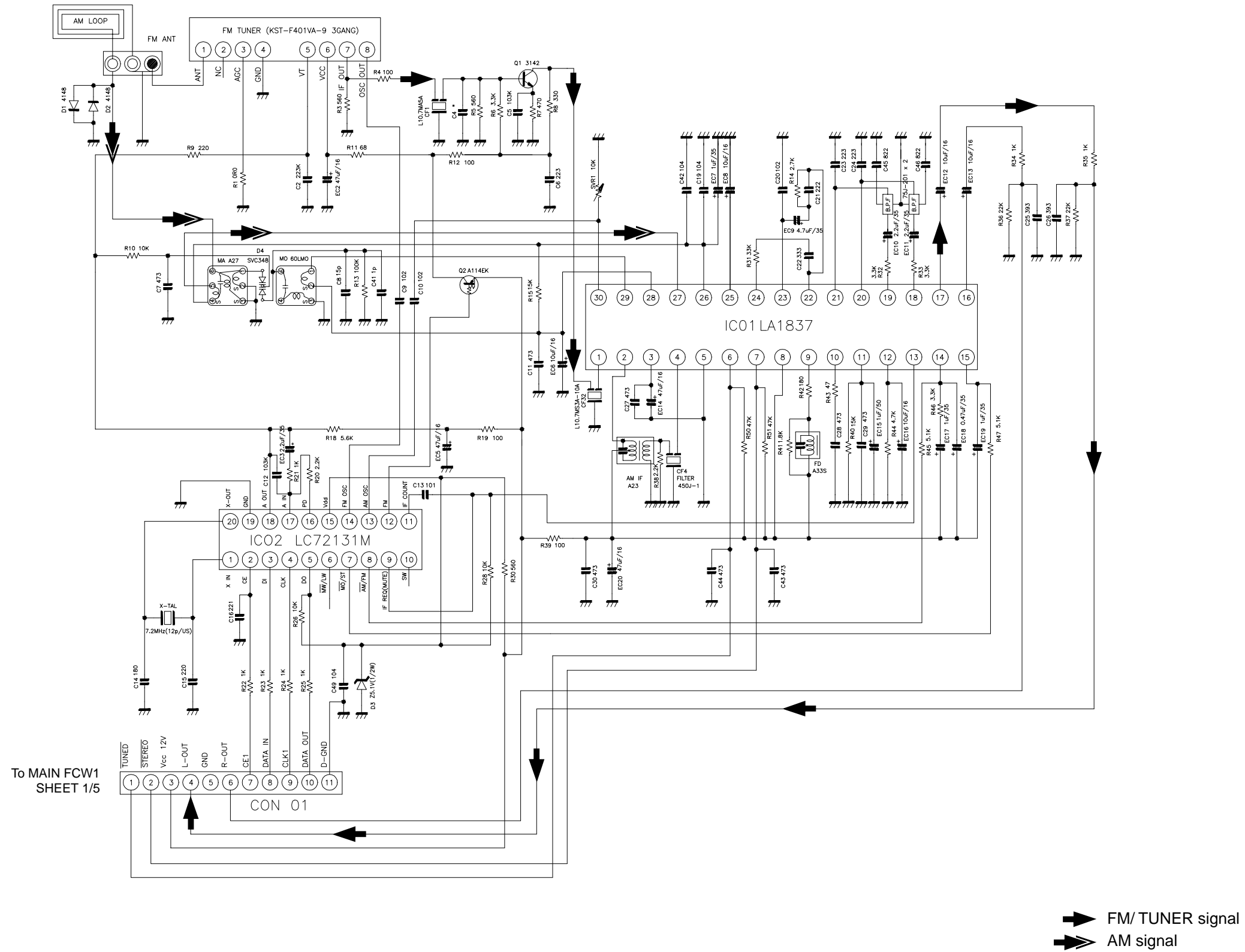
➡ MAIN signal

CD section



Parts are safety assurance par
When replacing those par
sure to use the specified par

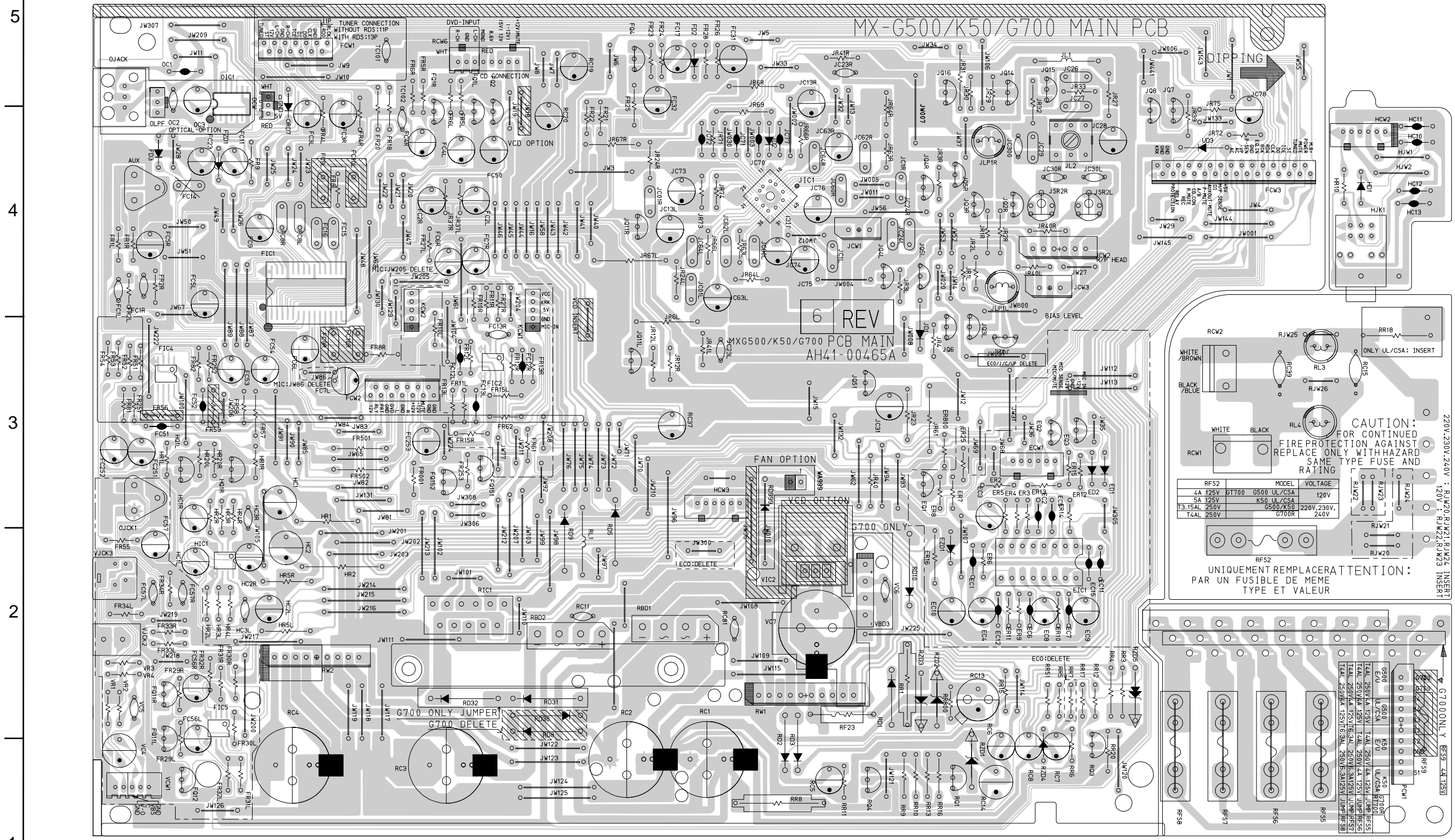
■ Tuner section



Printed circuit boards

■ Main board

Main board



Headphone jack board

Power supply board

Fuse board

5
4
3
2
1

A B C D E F G

Front board

5

4

3

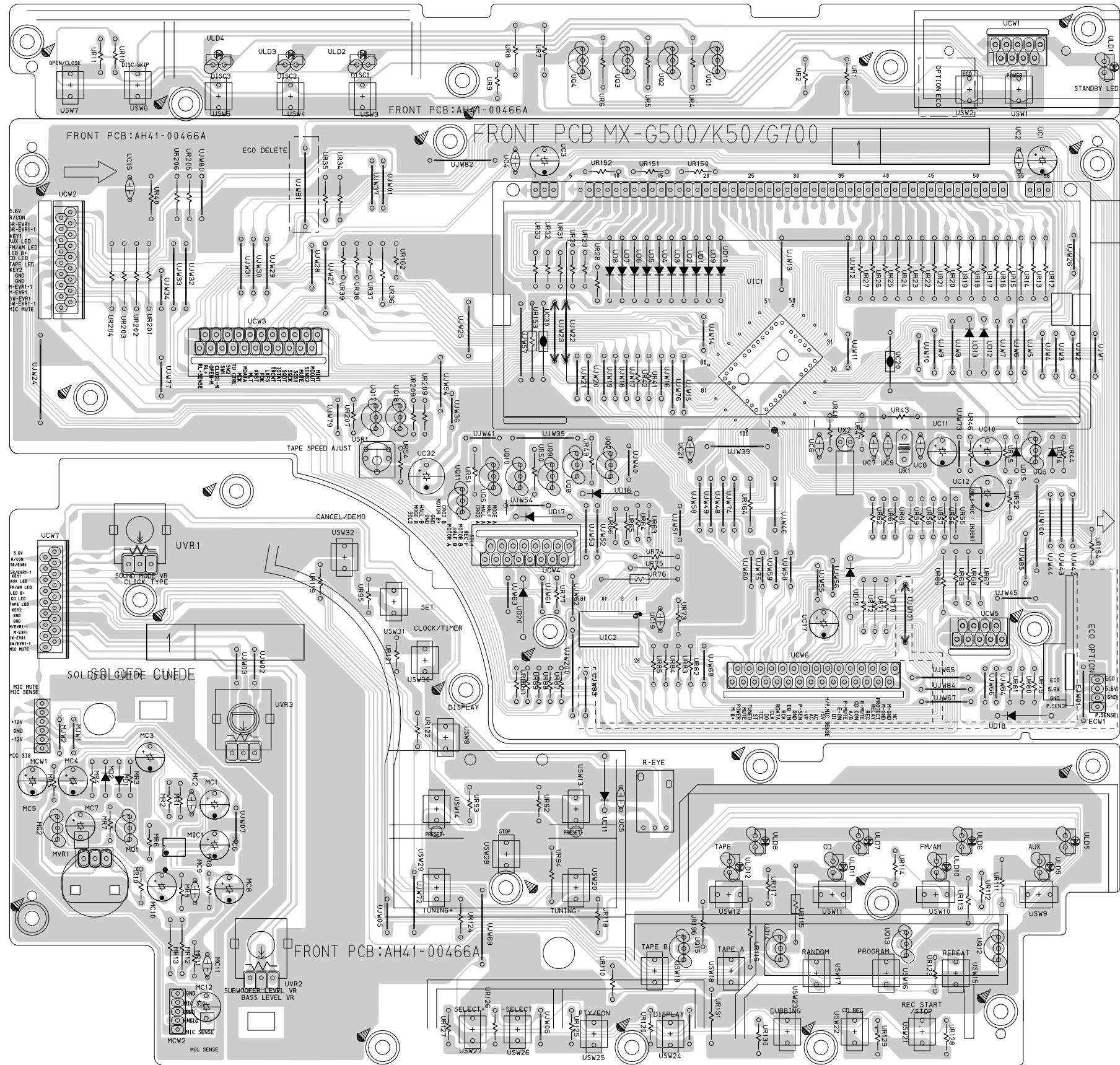
2

1

Power / CD switch board

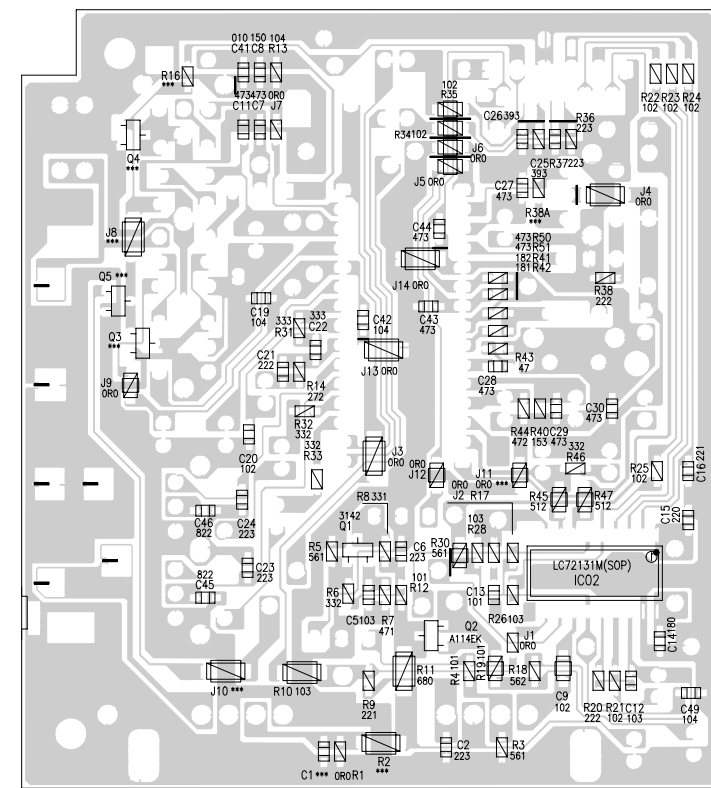
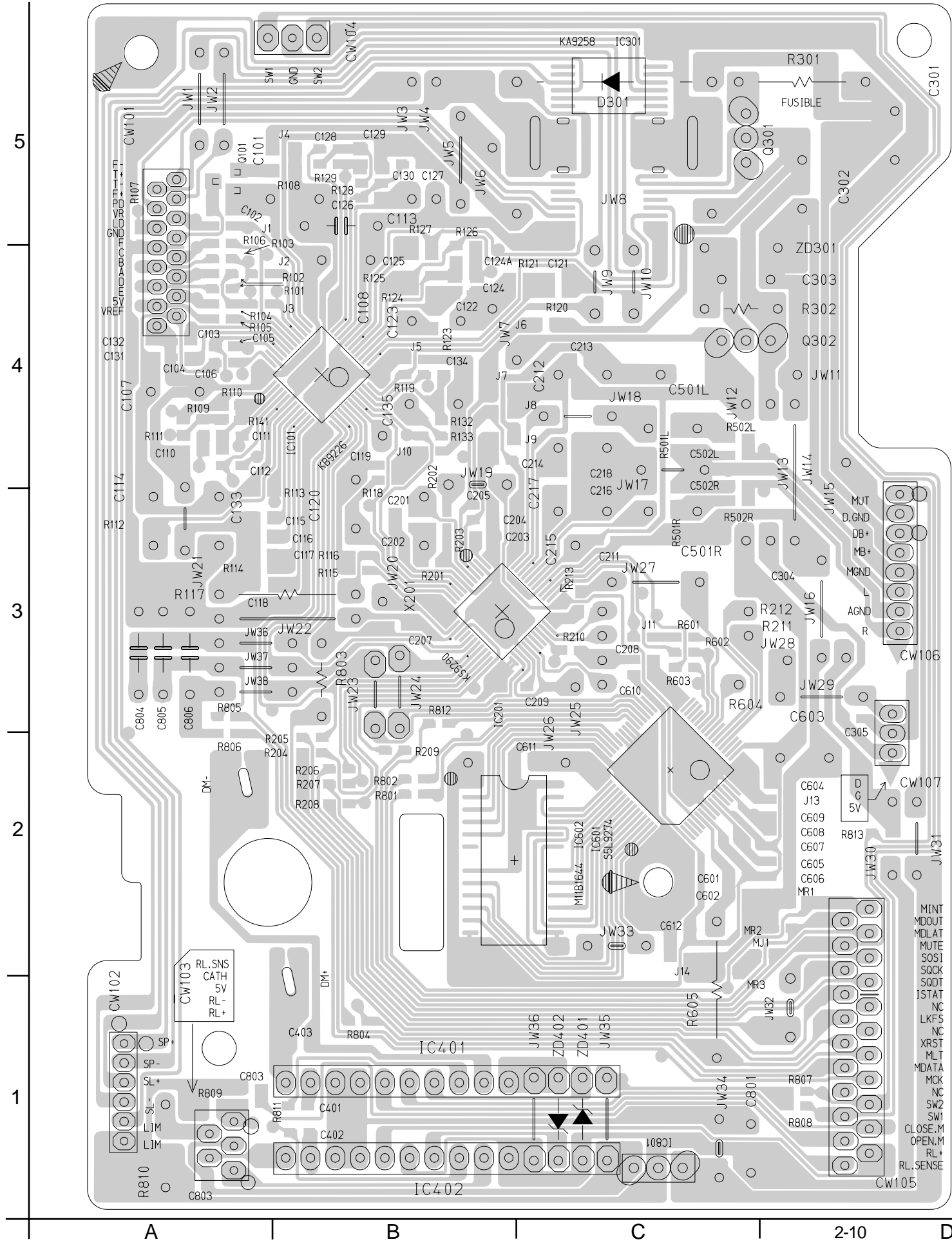
FL display & system control board

Front key switch board



■ CD servo board

■ Tuner board



PARTS LIST

[MX-GT700]

* All printed circuit boards and its assemblies are not available as service parts.

Area suffix

UW ----- Brazil, Mexico, Peru
 UJ ----- U.S. Military

- Contents -

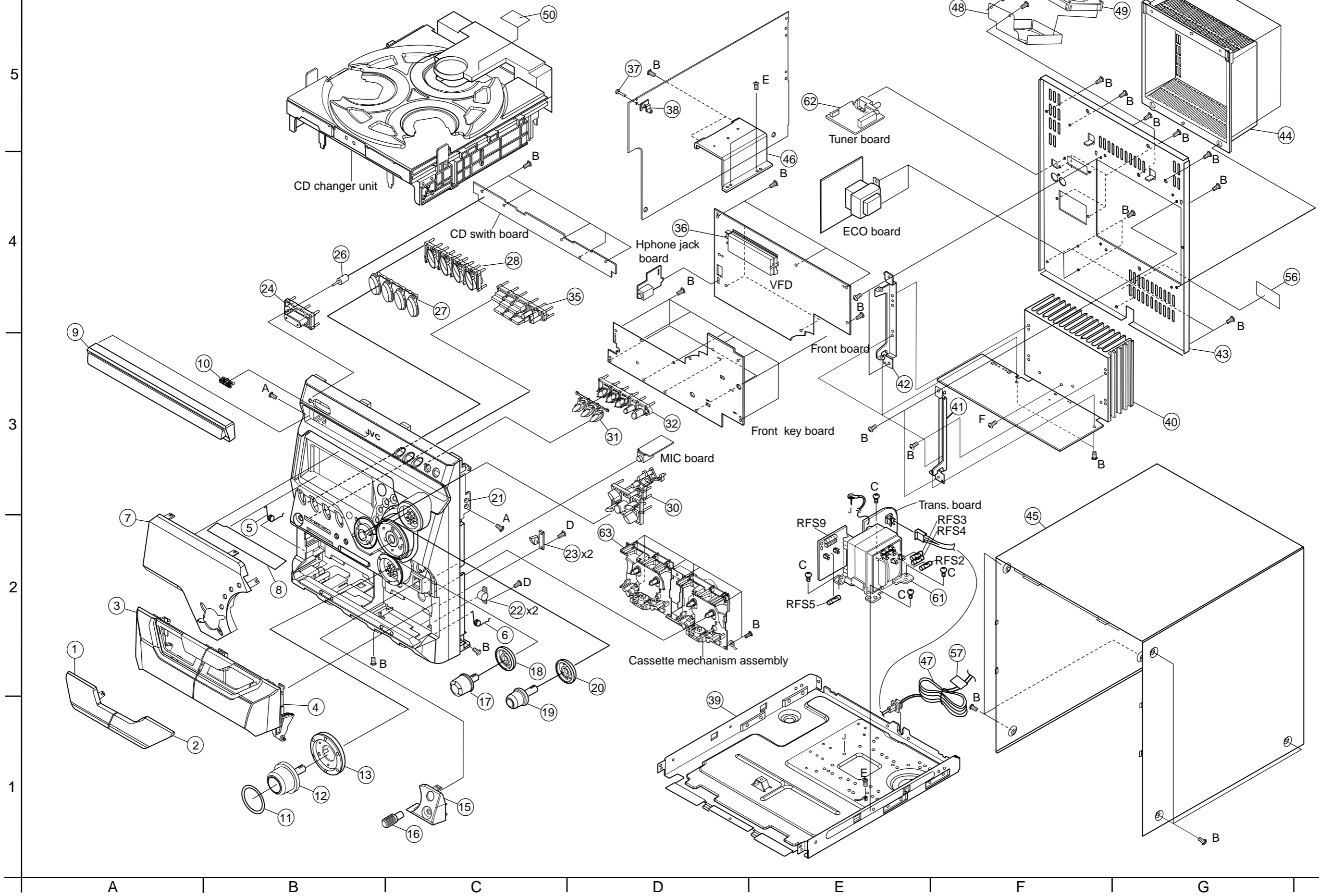
Exploded view of general assembly and parts list (Block No.M1)	3-	3
CD changer mechanism assembly and parts list (Block No.MA)	3-	5
Cassette mechanism assembly and parts list (Block No.MP)	3-	7
Electrical parts list (Block No.01~05)	3-	8
Packing materials and accessories parts list (Block No.M3,M5)	3-	20

< M E M O >

Exploded view of general assembly and parts list

Block No.

M	1	M	M
---	---	---	---



MX-GT700

MX-GT700

■ Parts list (General assembly)

Block No. M1MM

△	Item	Parts number	Parts name	Q'ty	Description	Area
	A	6002-000126	SCREW	2	FH M3X10 BLK	
	B	6003-000276	SCREW	71	BH M3X10 YEL	
	C	AH60-10107A	SCREW	4	M4X6 YEL	
	D	6003-000277	SCREW	4	BH M3X12 YEL	
	E	6002-000398	SCREW	3	BH M3X6 YEL	
	F	6003-000278	SCREW	4	BH M3X14 YEL	
	G	6003-000279	SCREW	2	BH M3X20 YEL	
	1	AH64-01654A	WINDOW DOOR A	1		
	2	AH64-01655A	WINDOW DOOR B	1		
	3	AH64-01650B	DOOR CASS A	1		
	4	AH64-01651B	DOOR CASS B	1		
	5	AH61-00552A	DOOR SPRING A	1		
	6	AH61-00553A	DOOR SPRING B	1		
	7	AH64-01653E	WINDOW VFD	1		
	8	AH63-00390A	SHEET VFD	1		
	9	AH64-01649B	CD DOOR	1		
	10	AH64-00462C	BADGE JVC	1		
	11	AH63-00389A	SHEET VOLUME	1		
	12	AH64-01660B	KNOB VOLUME	1		
	13	AH64-01665B	DECO VOLUME	1		
	15	AH61-00929B	CAP MIC	1		
	16	AH64-01973B	KNOB MIC VOL	1		
	17	AH64-01659B	KNOB SUBWOOFER	1		
	18	AH67-00147A	LENS SUBWOOFER	1		
	19	AH64-01661B	KNOB SOUND	1		
	20	AH67-00148A	LENS SOUND	1		
	21	AH64-01649D	FRONT CABINET	1		
	22	AH61-80030A	DAMPER ASSY	2		
	23	AH95-50001A	LATCH ASSY	2		
	24	AH64-01663B	KNOB POWER	1		
	26	AH67-00151A	LENS POWER	1		
	27	AH67-00149B	LENS FUNCTION	1		
	28	AH61-00931A	HOLDER FUNCTION	1		
	30	AH64-01658B	KNOB PRESET	1		
	31	AH67-00150B	LENS DISC	1		
	32	AH64-01662B	KNOB DISC	1		
	35	AH64-01656B	KNOB TAPE	1		
	36	AH61-00662A	HOLDER VFD	1		
	37	AH61-40014A	SUPPORT RIVET	1		
	38	AH61-00021A	SUPPORT PCB	1		
	39	AH64-30416C	CABINET BOTTOM	1		
	40	AH62-00043D	HEAT SINK	1		
	41	AH61-00655A	H.SINK BRAKET	1	R	
	42	AH61-00656A	H.SINK BRAKET	1	L	
	43	AH64-01666G	REAR CABINET	1		
	44	AH63-00250A	REAR COVER	1		
	45	AH64-30390F	TOP CABINET	1		
	46	AH62-00042A	HEAT SINK 4959	1		

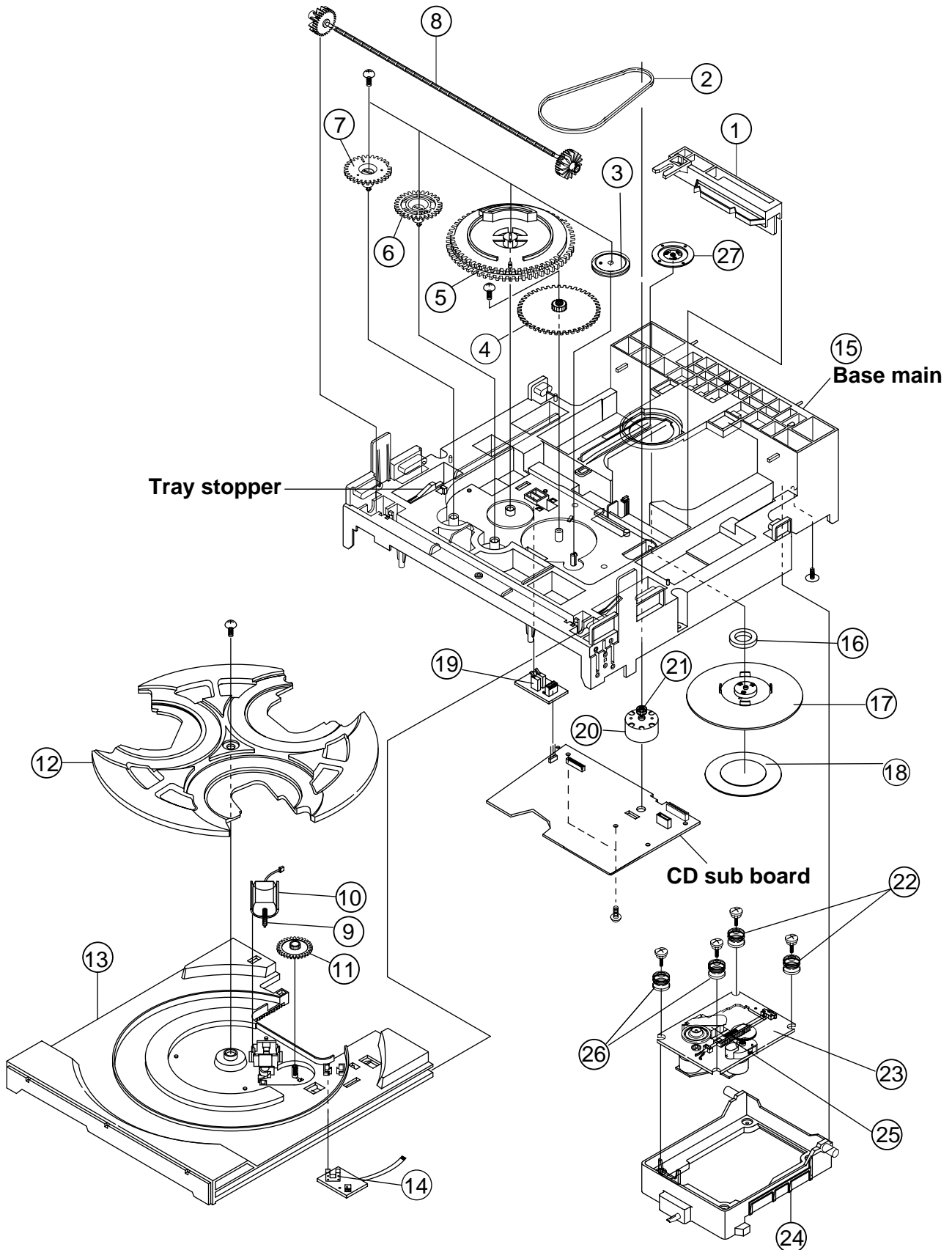
■ Parts list (General assembly)

Block No. M1MM

△	Item	Parts number	Parts name	Q'ty	Description	Area
	47	AH39-00257A	POWER CORD	1		
	48	AH61-01125A	BRKT FAN	1		UW
	49	AH31-00029B	MOTOR FAN	1		UW
	50	AH68-50275D	STICKER CD	1		
	56	AH68-01028U	LABEL RATING	1		
	57	AH68-50282K	LABEL CAUTION	1		
	61	AH26-00187A	TRANS POWER	1		
	62	AH40-00010A	TUNER PACK	1	KST-MB011MS	
	63	-----	CASSETTE MECHA	1	ADR248DSW	

CD changer mechanism assembly and parts list

Block No. M A M M

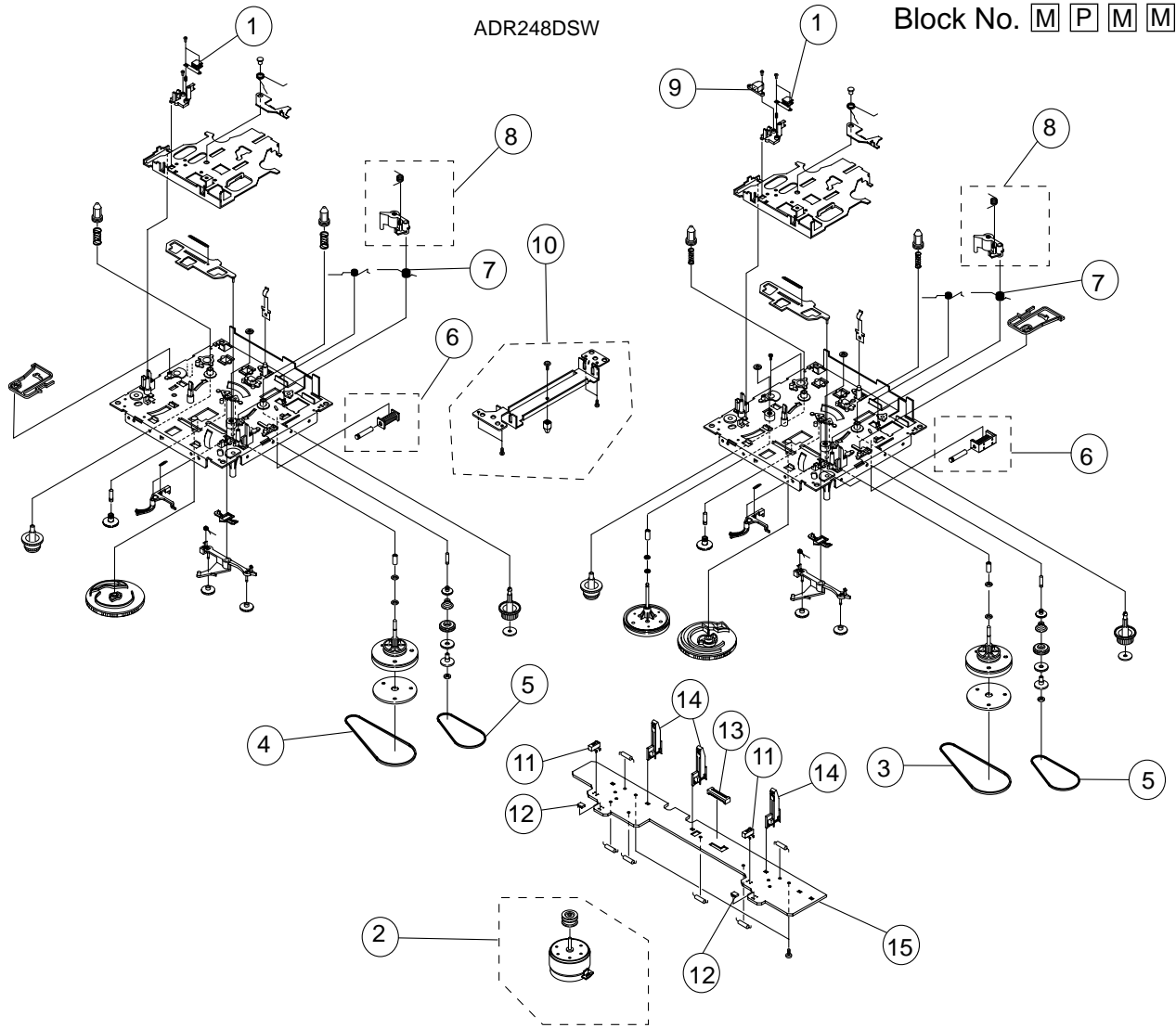


■ Parts list (CD changer mechanism)

Block No. MAMM

△	Item	Parts number	Parts name	Q'ty	Description	Area
	1	AH66-80022A	SLIDE CAM	1	ABS HF-380 NTR	
	2	AH66-60034A	BELT LOAD	1	CR	
	3	AH66-20186A	GEAR PULLEY	1	POM (M90-44)WHT	
	4	AH66-20187A	GEAR-LOAD	1	POM (M90-44)BLK	
	5	AH66-20188A	GEAR-CAM	1	POM(M90-44)WHT	
	6	AH66-20189A	GEAR-TRAY	1	POM(M90-44)BLK	
	7	AH66-20190A	GEAR-CONVERTOR	1	POM (M90-44) WH	
	8	AH66-20191A	GEAR-SYNCRO	1	ABS HF-380 NTR	
	9	AH66-20192A	GEAR-WORM	1	POM (M90-44)WHT	
	10	AH31-12001A	LOADING MOTOR	1	FF-030PN-09120	
	11	AH66-20193A	GEAR-ROULETTE	1	POM(M90-44)BLK	
	12	AH66-90056A	TRAY-ROULETTE	1	ABS XR-401 BLK	
	13	AH66-90055A	TRAY DISC	1	ABS XR-401 BLK	
	14	AH32-10001F	SENSOR	1	KPI-L06	
	15	AH61-20428A-1	BASE MAIN	1	CMS-300,BLK	
	16	3302-000159	MAGNET-FERRITE	1	3500-3800G,6P	
	17	AH66-90053A	TABTE-CHUCK UNI	1	BLK,CMS300	
	18	AH63-00068B	SHEET CHUCK	1	HYMERON,BLK,0.4	
	19	3404-000101	SWICH MICRO	1	MLS-24	
	20	AH31-10021A	DC MORTOR	1	RF-500TB,9VDC	
	21	AH66-10008A	PULLEY-MOTOR	1	BLK,CMS-CR3	
	22	AH73-10031A	RUBBER-CD	1	RCD380,RED	
	23	AH91-60150C	SP MOTOR ASS'Y	1	CMS-D73SG6U	
	24	AH66-30098A	LEVER-LIFTER	1	ABS(BLK),CMS-30	
	25	AH30-00007A	CD PICKUP	1	SOH-AD3	
	26	AH73-10034A	RUBBER-CD(G)	1	CMS-300D,GREEN	
	27	AH61-00255A	BRKT CHUCK	1	SECL 0.8T	

Cassette mechanism assembly and parts list



Note: Parts listed on the Parts List below can be supplied. However, parts that are not listed below cannot be supplied individually but only by purchasing the whole Cassette Mechanism Assembly Unit. (When ordering, use the Parts No. AH59-00102A for Cassette Mechanism Assembly Unit.)

Parts list(Cassette mechanism)

Block No. MPMM

Item	Parts number	Parts name	Q'ty	Description	Area
1	AH81-00141A	REC/PB HEAD	2	TC881CB	
2	AH81-00422A	MOTOR ASS'Y	1	CCM09-120L2-2	
3	AH81-00364A	MAIN BELT 1	1	ADR2400-MAIN0.5	
4	AH81-00365A	MAIN BELT 2	1	ADR2400-MAIN1.3	
5	AH81-00101A	FR BELT	2	ADR2400-FR34.7	
6	AH81-00102A	SOLENOID	2	ADR2400-1	
7	AH81-00282A	SPRING	2	S/PP/R(F)	
8	AH81-00366A	PINCH R.ASS'Y	2	ADR2400-PINCH(F)	
9	AH81-00284A	E-HEAD	1	TC2131F	
10	AH81-00367A	MOTOR BRACKET	1	ADR241SW-BRKT 110	
11	AH81-00286A	SWICH	2	ADR2400-MODE	
12	AH81-00287A	PHOT SENSER	2	ADR2400-SENSOR	
13	AH81-00288A	CONNECTOR	1	ADR2400-16P	
14	AH81-00289A	LEEF SW	3	ADR2400-MXS00220	
15	AH81-00375A	PCB	1	ADR2400-1PCB	

■ Electrical parts list (Main board)

Block No. 01

△	Item	Parts number	Parts name	Remarks	Area	△	Item	Parts number	Parts name	Remarks	Area
	AUX	3722-000379	PIN JACK	4P/2C 3.5MM			FC36	2301-000375	M.CAPACITOR	100NF 10% 50V	
	ECW1	3711-001062	CONNECTOR	6P 1R 2MM			FC4L	2401-001912	E.CAPACITOR	1UF 20% 50V	
	EC1	2202-000148	C.CAPASITOR	12NF 5% 50V			FC4R	2401-001912	E.CAPACITOR	1UF 20% 50V	
	EC10	2401-001465	E.CAPACITOR	47UF 20% 10V			FC5L	2401-001912	E.CAPACITOR	1UF 20% 50V	
	EC11	2202-000854	C.CAPASITOR	47NF 30% 50V			FC50	2401-000419	E.CAPACITOR	10UF 20% 16V	
	EC12	2202-000797	C.CAPASITOR	10NF 30% 16V			FC51	2202-000806	C.CAPASITOR	220PF 10% 50V	
	EC15	2202-000797	C.CAPASITOR	10NF 30% 16V			FC52	2202-000806	C.CAPASITOR	220PF 10% 50V	
	EC2	2202-000817	C.CAPASITOR	4.7NF 20% 16V			FC53	2401-001912	E.CAPACITOR	1UF 20% 50V	
	EC3	2401-002180	E.CAPACITOR	2.2UF 20% 50V			FC54	2401-001912	E.CAPACITOR	1UF 20% 50V	
	EC4	2401-002180	E.CAPACITOR	2.2UF 20% 50V			FC57	2401-001975	E.CAPACITOR	47UF 20% 16V	
	EC5	2202-000797	C.CAPASITOR	10NF 30% 16V			FC6L	2401-002180	E.CAPACITOR	2.2UF 20% 50V	
	EC6	2202-000809	C.CAPASITOR	3.3NF 20% 16V			FC6R	2401-002180	E.CAPACITOR	2.2UF 20% 50V	
	EC7	2202-000797	C.CAPASITOR	10NF 30% 16V			FC7L	2401-001912	E.CAPACITOR	1UF 20% 50V	
	EC8	2401-001889	E.CAPACITOR	100NF 20% 50V			FC8L	2301-000454	M.CAPACITOR	5.6NF 10% 50V	
	EC9	2401-000907	E.CAPACITOR	22UF 20% 16V			FC8R	2301-000454	M.CAPACITOR	5.6NF 10% 50V	
	ED1	0401-000101	DIODE	1N4148 100V			FC9	2401-000419	E.CAPACITOR	10UF 20% 16V	
	ED2	0401-000101	DIODE	1N4148 100V			FC9L	2301-000216	M.CAPACITOR	220NF 5% 50V	
	EIC1	1204-001730	IC	M65855P 16P 300MIL			FC9R	2301-000216	M.CAPACITOR	220NF 5% 50V	
	EQ1	0501-000398	TRANSISTOR	KSC945			FD2	0401-000101	DIODE	1N4148 100V	
	EQ2	0504-000118	DEGI TRANSISTOR	KSR1003			FD3	0401-000101	DIODE	1N4148 100V	
	EQ3	0504-000118	DEGI TRANSISTOR	KSR1003			FIC1	1204-001776	IC	TDA7442D 28P	
	ER10	2001-000290	CARBON RESISTOR	10K 5% 1/8W			FIC2	1201-000163	IC	BA4560 8P	
	ER11	2001-000734	CARBON RESISTOR	4.7K 5% 1/8W			FIC4	1201-000163	IC	BA4560 8P	
	ER12	2001-000563	CARBON RESISTOR	27K 5% 1/8W			FQ1L	0504-000122	DIGI TRANSISTOR	KSR1009Y	
	ER13	2001-000290	CARBON RESISTOR	10K 5% 1/8W			FQ1R	0504-000122	DIGI TRANSISTOR	KSR1009Y	
	ER14	2001-000319	CARBON RESISTOR	120K 5% 1/8W			FQ151	0504-000144	DIGI TRANSISTOR	KSR2002	
	ER15	2001-000563	CARBON RESISTOR	27K 5% 1/8W			FQ152	0504-000118	DEGI TRANSISTOR	KSR1003	
	ER16	2001-000034	CARBON RESISTOR	220 5% 1/4W			FQ2	0504-001003	DIGI TRANSISTOR	KSR2003	
	ER2	2001-000522	CARBON RESISTOR	22K 5% 1/8W			FQ4	0501-000398	TRANSISTOR	KSC945	
	ER25	2001-000786	CARBON RESISTOR	47K 5% 1/8W			FR001	2001-000244	CARBON RESISTOR	1.5M 5% 1/8W	
	ER3	2001-000290	CARBON RESISTOR	10K 5% 1/8W			FR1L	2001-000411	CARBON RESISTOR	18K 5% 1/8W	
	ER4	2001-000977	CARBON RESISTOR	8.2K 5% 1/8W			FR1R	2001-000411	CARBON RESISTOR	18K 5% 1/8W	
	ER5	2001-000522	CARBON RESISTOR	22K 5% 1/8W			FR10L	2001-000429	CARBON RESISTOR	1K 5% 1/8W	
	ER6	2001-000563	CARBON RESISTOR	27K 5% 1/8W			FR10R	2001-000429	CARBON RESISTOR	1K 5% 1/8W	
	ER7	2001-000429	CARBON RESISTOR	1K 5% 1/8W			FR11L	2001-000429	CARBON RESISTOR	1K 5% 1/8W	
	ER8	2001-000734	CARBON RESISTOR	4.7K 5% 1/8W			FR11R	2001-000429	CARBON RESISTOR	1K 5% 1/8W	
	ER800	2001-001000	CARBON RESISTOR	82K 5% 1/8W			FR12L	2001-000591	CARBON RESISTOR	3.3K 5% 1/8W	
	ER9	2001-000008	CARBON RESISTOR	15K 5% 1/8W			FR12R	2001-000591	CARBON RESISTOR	3.3K 5% 1/8W	
	EZD1	0403-000354	ZENER DIODE	UZ5.1B 5.1V			FR13L	2001-000734	CARBON RESISTOR	4.7K 5% 1/8W	
	FCW1	3708-000122	CONNECTOR	11P 1.25MM			FR13R	2001-000734	CARBON RESISTOR	4.7K 5% 1/8W	
	FCW2	3708-001094	CONNECTOR	13P 1.25MM			FR15L	2001-000591	CARBON RESISTOR	3.3K 5% 1/8W	
	FCW3	3708-001577	CONNECTOR	30P 1.25MM			FR15R	2001-000591	CARBON RESISTOR	3.3K 5% 1/8W	
	FC1L	2201-000368	C.CAPASITOR	220PF 10% 50V			FR18	2001-000515	CARBON RESISTOR	220 5% 1/8W	
	FC1R	2201-000368	C.CAPASITOR	220PF 10% 50V			FR2L	2001-000411	CARBON RESISTOR	18K 5% 1/8W	
	FC10L	2301-000216	M.CAPACITOR	220NF 5% 50V			FR2R	2001-000411	CARBON RESISTOR	18K 5% 1/8W	
	FC10R	2301-000216	M.CAPACITOR	220NF 5% 50V			FR20	2001-000515	CARBON RESISTOR	220 5% 1/8W	
	FC11	2401-001975	E.CAPACITOR	47UF 20% 16V			FR21	2001-000864	CARBON RESISTOR	56K 5% 1/8W	
	FC12L	2202-000781	C.CAPASITOR	100PF 10% 50V			FR22	2001-000864	CARBON RESISTOR	56K 5% 1/8W	
	FC12R	2202-000781	C.CAPASITOR	100PF 10% 50V			FR23	2001-000773	CARBON RESISTOR	470K 5% 1/8W	
	FC13L	2202-000806	C.CAPASITOR	220PF 10% 50V			FR24	2001-000290	CARBON RESISTOR	10K 5% 1/8W	
	FC13R	2202-000806	C.CAPASITOR	220PF 10% 50V			FR25	2001-000429	CARBON RESISTOR	1K 5% 1/8W	
	FC17	2401-001954	E.CAPACITOR	4.7UF 20% 50V			FR251	2001-000591	CARBON RESISTOR	3.3K 5% 1/8W	
	FC2L	2401-001912	E.CAPACITOR	1UF 20% 50V			FR252	2001-000786	CARBON RESISTOR	47K 5% 1/8W	
	FC2R	2401-001912	E.CAPACITOR	1UF 20% 50V			FR253	2001-000290	CARBON RESISTOR	10K 5% 1/8W	
	FC23	2401-000419	E.CAPACITOR	10UF 20% 16V			FR26	2001-000850	CARBON RESISTOR	560K 5% 1/8W	
	FC251	2401-001912	E.CAPACITOR	1UF 20% 50V			FR27R	2001-000786	CARBON RESISTOR	47K 5% 1/8W	
	FC252	2401-001912	E.CAPACITOR	1UF 20% 50V			FR28	2001-000645	CARBON RESISTOR	330K 5% 1/8W	
	FC253	2401-001912	E.CAPACITOR	1UF 20% 50V			FR4L	2001-000780	CARBON RESISTOR	470 5% 1/8W	
	FC3L	2401-001912	E.CAPACITOR	1UF 20% 50V			FR4R	2001-000780	CARBON RESISTOR	470 5% 1/8W	
	FC3R	2401-001912	E.CAPACITOR	1UF 20% 50V			FR5L	2001-000864	CARBON RESISTOR	56K 5% 1/8W	
	FC31	2401-000759	E.CAPACITOR	220NF 20% 50V			FR5R	2001-000864	CARBON RESISTOR	56K 5% 1/8W	
	FC32	2401-001954	E.CAPACITOR	4.7UF 20% 50V			FR51	2001-000515	CARBON RESISTOR	220 5% 1/8W	
	FC35	2301-000361	M.CAPACITOR	1.2NF 10% 50V			FR52	2001-000786	CARBON RESISTOR	47K 5% 1/8W	

■ Electrical parts list (Main board)

Block No. 01

△	Item	Parts number	Parts name	Remarks	Area	△	Item	Parts number	Parts name	Remarks	Area
	FR53	2001-000515	CARBON RESISTOR	220 5% 1/8W			JC29	2301-000407	M.CAPACITOR	2.7NF 10% 50V	
	FR54	2001-000786	CARBON RESISTOR	47K 5% 1/8W			JC30L	2201-000368	C.CAPASITOR	220PF 10% 50V	
	FR55	2001-000890	CARBON RESISTOR	6.8K 5% 1/8W			JC30R	2201-000368	C.CAPASITOR	220PF 10% 50V	
	FR56	2001-000411	CARBON RESISTOR	18K 5% 1/8W			JC300	2201-000557	C.CAPASITOR	0.47NF 10% 50V	
	FR57	2001-000273	CARBON RESISTOR	100K 5% 1/8W			JC60L	2301-000379	M.CAPACITOR	10NF 10% 50V	
	FR58	2001-000273	CARBON RESISTOR	100K 5% 1/8W			JC60R	2301-000379	M.CAPACITOR	10NF 10% 50V	
	FR59	2001-000411	CARBON RESISTOR	18K 5% 1/8W			JC62L	2301-000375	M.CAPACITOR	100NF 10% 50V	
	FR6L	2001-000411	CARBON RESISTOR	18K 5% 1/8W			JC62R	2301-000375	M.CAPACITOR	100NF 10% 50V	
	FR6R	2001-000411	CARBON RESISTOR	18K 5% 1/8W			JC63L	2401-002180	E.CAPACITOR	2.2UF 20% 50V	
	FR61	2001-000429	CARBON RESISTOR	1K 5% 1/8W			JC63R	2401-002180	E.CAPACITOR	2.2UF 20% 50V	
	FR62	2001-000429	CARBON RESISTOR	1K 5% 1/8W			JC64L	2301-000375	M.CAPACITOR	100NF 10% 50V	
	FR8L	2001-000802	CARBON RESISTOR	5.6K 5% 1/8W			JC64R	2301-000375	M.CAPACITOR	100NF 10% 50V	
	FR8R	2001-000802	CARBON RESISTOR	5.6K 5% 1/8W			JC70	2202-000781	C.CAPASITOR	100PF 10% 50V	
	FR81	2001-000786	CARBON RESISTOR	47K 5% 1/8W			JC71	2202-000781	C.CAPASITOR	100PF 10% 50V	
	FR82	2001-000591	CARBON RESISTOR	3.3K 5% 1/8W			JC72	2202-000781	C.CAPASITOR	100PF 10% 50V	
	FR9	2001-000027	CARBON RESISTOR	100 5% 1/4W			JC73	2401-000419	E.CAPACITOR	10UF 20% 16V	
	FZD1	0403-000372	ZENER DIODE	UZ9.1BM 9.1V			JC74	2401-000438	E.CAPACITOR	10UF 20% 25V	
	HCW2	AH39-00247A	LEAD CONNECTOR				JC75	2401-001912	E.CAPACITOR	1UF 20% 50V	
	HCW3	3711-001062	CONNECTOR	6P 1R 2MM			JC76	2401-000438	E.CAPACITOR	10UF 20% 25V	
	HC1	2401-000795	E.CAPACITOR	220UF 20% 16V			JC77	2202-000781	C.CAPASITOR	100PF 10% 50V	
	HC1L	2401-001912	E.CAPACITOR	1UF 20% 50V			JC78	2401-001912	E.CAPACITOR	1UF 20% 50V	
	HC1R	2401-001912	E.CAPACITOR	1UF 20% 50V			JD1	0401-000101	DIODE	1N4148 100V	
	HC2	2401-000795	E.CAPACITOR	220UF 20% 16V			JIC1	1201-001899	IC	HA12237F 40P	
	HC2L	2401-001164	E.CAPACITOR	33UF 20% 16V			JLP1L	AH26-10002W	TRAP COIL	BIAS-TRAP105K	
	HC2R	2401-001164	E.CAPACITOR	33UF 20% 16V			JLP1R	AH26-10002W	TRAP COIL	BIAS-TRAP105K	
	HC3L	2201-000642	C.CAPASITOR	0.68NF 10% 50V			JL1	2701-000298	INDUCTOR	470UH 10%	
	HC3R	2201-000642	C.CAPASITOR	0.68NF 10% 50V			JL2	AH26-10003C	TRAP COIL	PCHNS-5371EQJ	
	HD1	0401-000101	DIODE	1N4148 100V			JQ11L	0501-000407	TRANSISTOR	KSD471A-Y	
	HIC1	1201-000163	IC	BA4560 8P			JQ11R	0501-000407	TRANSISTOR	KSD471A-Y	
	HJK1	3722-000351	MIC JACK	11P 3.5PI			JQ14	0501-000610	TRANSISTOR	KSA928A-Y	
	HQ1L	0501-000407	TRANSISTOR	KSD471A-Y			JQ15	0501-000369	TRANSISTOR	KSC2331-Y	
	HQ1R	0501-000407	TRANSISTOR	KSD471A-Y			JQ16	0501-000398	TRANSISTOR	KSC945	
	HRFS5	3602-000147	FUSE CLIP				JQ2L	0501-000010	TRANSISTOR	KSC1008	
	HR1	2001-000028	CARBON RESISTOR	100 5% 1/2W			JQ2R	0501-000010	TRANSISTOR	KSC1008	
	HR1L	2001-000449	CARBON RESISTOR	2.2K 5% 1/8W			JQ3L	0501-000010	TRANSISTOR	KSC1008	
	HR1R	2001-000449	CARBON RESISTOR	2.2K 5% 1/8W			JQ3R	0501-000010	TRANSISTOR	KSC1008	
	HR2	2001-000110	CARBON RESISTOR	10 5% 1/4W			JQ51	0504-001003	DIGI TRANSISTOR	KSR2003	
	HR2L	2001-000449	CARBON RESISTOR	2.2K 5% 1/8W			JQ6	0504-001003	DIGI TRANSISTOR	KSR2003	
	HR2L1	2001-000591	CARBON RESISTOR	3.3K 5% 1/8W			JQ7	0501-000407	TRANSISTOR	KRD471A-Y	
	HR2R	2001-000449	CARBON RESISTOR	2.2K 5% 1/8W			JQ8	0504-001003	DIGI TRANSISTOR	KSR2003	
	HR2R1	2001-000591	CARBON RESISTOR	3.3K 5% 1/8W			JR1L	2001-000890	CARBON RESISTOR	6.8K 5% 1/8W	
	HR3L	2001-000734	CARBON RESISTOR	4.7K 5% 1/8W			JR12L	2001-000734	CARBON RESISTOR	4.7K 5% 1/8W	
	HR3R	2001-000734	CARBON RESISTOR	4.7K 5% 1/8W			JR12R	2001-000734	CARBON RESISTOR	4.7K 5% 1/8W	
	HR4L	2001-000290	CARBON RESISTOR	10K 5% 1/8W			JR2L	2001-000890	CARBON RESISTOR	6.8K 5% 1/8W	
	HR4R	2001-000290	CARBON RESISTOR	10K 5% 1/8W			JR23	2001-000591	CARBON RESISTOR	3.3K 5% 1/8W	
	HR5L	2001-000019	CARBON RESISTOR	10 5% 1/2W			JR24L	2001-000302	CARBON RESISTOR	10 5% 1/8W	
	HR5R	2001-000019	CARBON RESISTOR	10 5% 1/2W			JR24R	2001-000302	CARBON RESISTOR	10 5% 1/8W	
	JCW1	3711-003107	CONNECTOR	3P 1R 2.5MM			JR27	2001-000023	CARBON RESISTOR	47 5% 1/4W	
	JCW2	3711-003111	CONNECTOR	6P 1R 2.5MM			JR29	2001-000786	CARBON RESISTOR	47K 5% 1/8W	
	JCW3	3711-003107	CONNECTOR	3P 1R 2.5MM			JR30	2001-000591	CARBON RESISTOR	3.3K 5% 1/8W	
	JC01L	2301-000393	M.CAPACITOR	18NF 10% 50V			JR31	2001-000734	CARBON RESISTOR	4.7K 5% 1/8W	
	JC01R	2301-000393	M.CAPACITOR	18NF 10% 50V			JR32	2001-000456	CARBON RESISTOR	2.2 5% 1/4W	
	JC1L	2301-000361	M.CAPACITOR	1.2NF 10% 50V			JR33	2001-000290	CARBON RESISTOR	10K 5% 1/8W	
	JC1R	2301-000361	M.CAPACITOR	1.2NF 10% 50V			JR37L	2001-000786	CARBON RESISTOR	47K 5% 1/8W	
	JC13L	2401-002180	E.CAPACITOR	2.2UF 20% 50V			JR37R	2001-000786	CARBON RESISTOR	47K 5% 1/8W	
	JC13R	2401-002180	E.CAPACITOR	2.2UF 20% 50V			JR39	2001-000290	CARBON RESISTOR	10K 5% 1/8W	
	JC23L	2201-000674	C.CAPASITOR	0.82NF 10% 50V			JR4	2001-000522	CARBON RESISTOR	22K 5% 1/8W	
	JC23R	2201-000674	C.CAPASITOR	0.82NF 10% 50V			JR40L	2001-000302	CARBON RESISTOR	10 5% 1/8W	
	JC24L	2301-000361	M.CAPACITOR	1.2NF 10% 50V			JR40R	2001-000302	CARBON RESISTOR	10 5% 1/8W	
	JC24R	2301-000361	M.CAPACITOR	1.2NF 10% 50V			JR41L	2001-000008	CARBON RESISTOR	15K 5% 1/8W	
	JC26	2301-000404	M.CAPACITOR	2.2NF 10% 50V			JR41R	2001-000008	CARBON RESISTOR	15K 5% 1/8W	
	JC27	2301-000404	M.CAPACITOR	2.2NF 10% 50V			JR42L	2001-000429	CARBON RESISTOR	1K 5% 1/8W	
	JC28	2401-001975	E.CAPACITOR	47UF 20% 16V			JR42R	2001-000429	CARBON RESISTOR	1K 5% 1/8W	

■ Electrical parts list (Main board)

Block No. 01

△	Item	Parts number	Parts name	Remarks	Area
	JR6L	2001-000449	CARBON RESISTOR	2.2K 5% 1/8W	
	JR6R	2001-000449	CARBON RESISTOR	2.2K 5% 1/8W	
	JR63L	2001-000977	CARBON RESISTOR	8.2K 5% 1/8W	
	JR63R	2001-000977	CARBON RESISTOR	8.2K 5% 1/8W	
	JR64L	2001-000241	CARBON RESISTOR	1.5K 5% 1/8W	
	JR64R	2001-000241	CARBON RESISTOR	1.5K 5% 1/8W	
	JR66L	2001-000449	CARBON RESISTOR	2.2K 5% 1/8W	
	JR66R	2001-000449	CARBON RESISTOR	2.2K 5% 1/8W	
	JR67L	2001-000802	CARBON RESISTOR	5.6K 5% 1/8W	
	JR67R	2001-000802	CARBON RESISTOR	5.6K 5% 1/8W	
	JR69	2001-000429	CARBON RESISTOR	1K 5% 1/8W	
	JR70	2001-000281	CARBON RESISTOR	100 5% 1/8W	
	JR71	2001-000290	CARBON RESISTOR	10K 5% 1/8W	
	JR72	2001-000281	CARBON RESISTOR	100 5% 1/8W	
	JR73	2001-000435	CARBON RESISTOR	1M 5% 1/8W	
	JR74	2001-000522	CARBON RESISTOR	22K 5% 1/8W	
	JR75	2001-000734	CARBON RESISTOR	4.7K 5% 1/8W	
	JSR2L	2103-000248	ROTA V RESISTOR	200K 30%	
	JSR2R	2103-000248	ROTA V RESISTOR	200K 30%	
	JW64	2001-000003	CARBON RESISTOR	330 5% 1/8W	
	JW66	2001-000003	CARBON RESISTOR	330 5% 1/8W	
	KCW1	3711-001557	CONNECTOR	5P 1R 2MM	
	KCW2	3711-001557	CONNECTOR	5P 1R 2MM	
	OCW2	AH39-00096B	LEAD CONNECTOR		
	OC1	2202-000807	C.CAPASITOR	22NF +80-20% 25	
	OC2	2201-000483	C.CAPASITOR	0.033NF 5% 50V	
	OC3	2401-000240	E.CAPACITOR	100UF 20% 10V	
	OIC1	AH14-10004R	IC	M74HCU04 14P	
	OJACK	0603-001069	OPTICAL JACK	5V 8MB/S 17DBM	
	OLPF	2901-001139	EMI FILTER	50V .5A	
	PCW1	3711-000588	CONNECTOR	10P 1R 2.5MM	
△	RBD1	0402-000450	BRIDGE DIODE	PBL403 200V 4.0A	
△	RBD2	0402-001258	BRIDGE DIODE	GBU606 6A 600V	
	RCW6	3711-001137	CONNECTOR	8P 1R 2MM	
△	RC1	2401-002592	E.CAPACITOR	2200UF 20% 50V	
△	RC11	2201-000161	C.CAPASITOR	10NF +80-20% 500V	
	RC13	2401-000230	E.CAPACITOR	100UF 20% 100V	
	RC14	2401-000795	E.CAPACITOR	220UF 20% 16V	
	RC19	2401-001895	E.CAPACITOR	100UF 20% 16V	
△	RC2	2401-002592	E.CAPACITOR	2200UF 20% 50V	
	RC20	2401-001895	E.CAPACITOR	100UF 20% 16V	
△	RC3	2401-003381	E.CAPACITOR	3300UF 20% 63V	
	RC37	2401-000438	E.CAPACITOR	10UF 20% 25V	
△	RC4	2401-003381	E.CAPACITOR	3300UF 20% 63V	
	RC5	2401-001954	E.CAPACITOR	4.7UF 20% 50V	
	RC6	2401-000907	E.CAPACITOR	22UF 20% 16V	
	RC7	2401-001912	E.CAPACITOR	1UF 20% 50V	
	RC8	2401-001954	E.CAPACITOR	4.7UF 20% 50V	
△	RC81	2201-000161	C.CAPASITOR	10NF +80-20% 500V	
	RD1	0402-000127	DIODE	1N4002 100V 1A	
	RD10	0402-000127	DIODE	1N4002 100V 1A	
	RD2	0402-000127	DIODE	1N4002 100V 1A	
	RD3	0402-000127	DIODE	1N4002 100V 1A	
	RD30	0402-000151	DIODE	1N5392 100V 1.5A	
	RD31	0402-000151	DIODE	1N5392 100V 1.5A	
	RD32	0402-000151	DIODE	1N5392 100V 1.5A	
	RD5	0402-000127	DIODE	1N4002 100V 1A	
	RD7	0401-000101	DIODE	1N4148 100V	
	RD8	0402-000151	DIODE	1N5392 100V 1.5A	
	RD9	0402-000127	DIODE	1N4002 100V 1A	
△	RFS5	3601-000301	FUSE	250V 6.3A	
△	RFS9	3601-001295	FUSE	4A 125V	
△	RF23	2008-000135	FUSE RESISTOR	1 5% 1/2W	

△	Item	Parts number	Parts name	Remarks	Area
	RIC1	1203-001653	IC	L4959 15P	
	RL1	2701-000298	INDUCTOR	470UH 10%	
	RQ1	0501-000610	TRANSISTOR	KSA928A-Y	
	RQ3	0501-000331	TRANSISTOR	KSC1009-Y	
	RQ4	0501-000294	TRANSISTOR	KSA708-Y	
	RR1	2003-000701	OMF RESISTOR	470 5% 2W	
	RR10	2001-000055	CARBON RESISTOR	4.7K 5% 1/4W	
	RR11	2001-000591	CARBON RESISTOR	3.3K 5% 1/8W	
	RR12	2001-000734	CARBON RESISTOR	4.7K 5% 1/8W	
	RR13	2001-000111	CARBON RESISTOR	150 5% 1/4W	
	RR16	2001-000038	CARBON RESISTOR	390 5% 1/4W	
	RR17	2001-000429	CARBON RESISTOR	1K 5% 1/8W	
	RR20	2001-000786	CARBON RESISTOR	47K 5% 1/8W	
	RR3	2001-000023	CARBON RESISTOR	47 5% 1/4W	
	RR4	2001-000023	CARBON RESISTOR	47 5% 1/4W	
	RR5	2001-000613	CARBON RESISTOR	3.9K 5% 1/8W	
	RR51	2001-000890	CARBON RESISTOR	6.8K 5% 1/8W	
	RR52	2001-000734	CARBON RESISTOR	4.7K 5% 1/8W	
	RR6	2001-000734	CARBON RESISTOR	4.7K 5% 1/8W	
	RR7	2001-000429	CARBON RESISTOR	1K 5% 1/8W	
	RR8	2003-000455	OMF RESISTOR	100 5% 2W	
	RR800	2001-000660	CARBON RESISTOR	33K 5% 1/8W	
	RR9	2001-000563	CARBON RESISTOR	27K 5% 1/8W	
	RW1	AH39-00338A	LEAD CONNECTOR		
	RW2	AH39-00244A	LEAD CONNECTOR		
	RZD1	0403-000379	ZENER DIODE	UZP12B 12V	
	RZD2	0403-000570	ZENER DIODE	UZP18B 18V	
	RZD3	0403-000570	ZENER DIODE	UZP18B 18V	
	RZD4	0403-000354	ZENER DIODE	UZ5.1B 5.1V	
	RZD5	0403-001010	ZENER DIODE	UZP5.6B 5.6V	
	TC101	2201-000783	C.CAPASITOR	100NF +80-20% 50V	
	TC102	2201-000783	C.CAPASITOR	100NF +80-20% 50V	
	UD3	0401-000101	DIODE	1N4148 100V	
△	VBD3	0402-001077	BRIDGE DIODE	KPB202G 200V 2A	
△	VC6	2201-000161	C.CAPASITOR	10NF 500V	
△	VC7	2401-001942	E.CAPACITOR	3300UF 35V	
	WA999	AH39-20008Q	LEAD CONNECTOR	5264 5395 300MM	

■ Electrical parts list (Front board)

Block No. 02

△	Item	Parts number	Parts name	Remarks	Area	△	Item	Parts number	Parts name	Remarks	Area
	MCW1	AH39-00246A	LEAD CONNECTOR				UC8	2201-000247	C.CAPASITOR	0.015NF 5% 50V	
	MCW2	AH39-00248A	LEAD CONNECTOR				UC9	2201-000247	C.CAPASITOR	0.015NF 5% 50V	
	MC1	2401-001975	E.CAPACITOR	47UF 20% 16V			UD11	0402-000127	DIODE	1N4002 100V 1A	
	MC10	2401-001954	E.CAPACITOR	4.7UF 20% 50V			UD12	0402-000127	DIODE	1N4002 100V 1A	
	MC11	2201-000300	C.CAPACITOR	1NF 20% 50V			UD13	0402-000127	DIODE	1N4002 100V 1A	
	MC12	2401-001912	E.CAPACITOR	1UF 20% 50V			UD14	0401-000101	DIODE	1N4148 100V	
	MC2	2201-000504	C.CAPACITOR	0.039NF 5% 50V			UD15	0401-000101	DIODE	1N4148 100V	
	MC3	2401-001954	E.CAPACITOR	4.7UF 20% 50V			UD16	0402-000127	DIODE	1N4002 100V 1A	
	MC4	2401-001954	E.CAPACITOR	4.7UF 20% 50V			UD17	0402-000127	DIODE	1N4002 100V 1A	
	MC5	2401-001954	E.CAPACITOR	4.7UF 20% 50V			UD18	0402-000127	DIODE	1N4002 100V 1A	
	MC6	2401-001975	E.CAPACITOR	47UF 20% 16V			UD19	0402-000127	DIODE	1N4002 100V 1A	
	MC7	2401-001954	E.CAPACITOR	4.7UF 20% 50V			UD20	0402-000127	DIODE	1N4002 100V 1A	
	MC8	2401-001912	E.CAPACITOR	1UF 20% 50V			UIC1	AH11-00037C	IC MASK ROM	LC866P548V-5V95 100P	
	MC9	2201-000653	C.CAPACITOR	0.068NF 5% 50V			UIC2	0904-001316	IC	M66010GP 24BIT 32P	
	MD1	0401-000101	DIODE	1N4148 100V			ULD1	0601-001238	LED	LTL-1CHESS-UA	
	MD2	0401-000101	DIODE	1N4148 100V			ULD10	0601-001238	LED	LTL-1CHESS-UA	
	MIC	3722-000351	MIC JACK	11P 3.5PI			ULD11	0601-001238	LED	LTL-1CHESS-UA	
	MIC1	1201-000163	IC	BA4560 8P 173MIL			ULD12	0601-001238	LED	LTL-1CHESS-UA	
	MQ1	0501-000398	TRANSISTOR	KSC945			ULD13	0601-001238	LED	LTL-1CHESS-UA	
	MQ2	0501-000398	TRANSISTOR	KSC945			ULD14	0601-001238	LED	LTL-1CHESS-UA	
	MR1	2001-000356	CARBON RESISTOR	150K 5% 1/8W			ULD15	0601-001238	LED	LTL-1CHESS-UA	
	MR10	2001-000472	CARBON RESISTOR	2.7K 5% 1/8W			ULD16	0601-001238	LED	LTL-1CHESS-UA	
	MR11	2001-000522	CARBON RESISTOR	22K 5% 1/8W			ULD2	0601-001238	LED	LTL-1CHESS-UA	
	MR12	2001-000734	CARBON RESISTOR	4.7K 5% 1/8W			ULD3	0601-001238	LED	LTL-1CHESS-UA	
	MR13	2001-000734	CARBON RESISTOR	4.7K 5% 1/8W			ULD4	0601-001238	LED	LTL-1CHESS-UA	
	MR14	2001-000734	CARBON RESISTOR	4.7K 5% 1/8W			ULD5	0601-001238	LED	LTL-1CHESS-UA	
	MR15	2001-000660	CARBON RESISTOR	33K 5% 1/8W			ULD6	0601-001238	LED	LTL-1CHESS-UA	
	MR16	2001-000855	CARBON RESISTOR	560 5% 1/4W			ULD7	0601-001238	LED	LTL-1CHESS-UA	
	MR17	2001-000855	CARBON RESISTOR	560 5% 1/4W			ULD8	0601-001238	LED	LTL-1CHESS-UA	
	MR2	2001-000290	CARBON RESISTOR	10K 5% 1/8W			ULD9	0601-001238	LED	LTL-1CHESS-UA	
	MR3	2001-000290	CARBON RESISTOR	10K 5% 1/8W			UQ1	0504-000117	DEGI TRANSISTOR	KSR1002	
	MR4	2001-000449	CARBON RESISTOR	2.2K 5% 1/8W			UQ10	0501-000610	TRANSISTOR	KSA928A-Y 1W	
	MR5	2001-000472	CARBON RESISTOR	2.7K 5% 1/8W			UQ11	0501-000610	TRANSISTOR	KSA928A-Y 1W	
	MR6	2001-000290	CARBON RESISTOR	10K 5% 1/8W			UQ12	0504-000117	DEGI TRANSISTOR	KSR1002	
	MR7	2001-000429	CARBON RESISTOR	1K 5% 1/8W			UQ13	0504-000117	DEGI TRANSISTOR	KSR1002	
	MR8	2001-000734	CARBON RESISTOR	4.7K 5% 1/8W			UQ14	0504-000117	DEGI TRANSISTOR	KSR1002	
	MR9	2001-000273	CARBON RESISTOR	100K 5% 1/8W			UQ15	0504-000117	DEGI TRANSISTOR	KSR1002	
	MVR1	2101-001052	ROTA V RESISTOR	10K 10%			UQ17	0504-000118	DEGI TRANSISTOR	KSR1003	
	R-EYE	AC59-60060A	REMOCON EYE	GP1U281R			UQ18	0501-000398	TRANSISTOR	KSC945	
	UCW1	3708-000492	CONNECTOR	9P 1.25MM			UQ2	0504-000117	DEGI TRANSISTOR	KSR1002	
	UCW2	3708-001691	CONNECTOR	18P 1.25MM			UQ3	0504-000117	DEGI TRANSISTOR	KSR1002	
	UCW3	3708-000454	CONNECTOR	22P 1.25MM			UQ4	0504-000117	DEGI TRANSISTOR	KSR1002	
	UCW4	3708-000451	CONNECTOR	16P 1.25MM			UQ5	0504-000118	DEGI TRANSISTOR	KSR1003	
	UCW5	3708-000492	CONNECTOR	9P 1.25MM			UQ6	0501-000398	TRANSISTOR	KSC945	
	UCW6	3708-001488	CONNECTOR	30P 1.25MM			UQ7	0504-000118	DEGI TRANSISTOR	KSR1003	
	UCW7	3708-001692	CONNECTOR	18P 1.25MM			UQ8	0501-000610	TRANSISTOR	KSA928A-Y 1W	
	UC1	2401-000475	E.CAPACITOR	10UF 20% 50V			UQ9	0504-000118	DEGI TRANSISTOR	KSR1003	
	UC10	2401-000240	E.CAPACITOR	100UF 20% 10V			UR1	2001-000003	CARBON RESISTOR	330 5% 1/8W	
	UC11	2401-000759	E.CAPACITOR	220NF 20% 50V			UR10	2001-000258	CARBON RESISTOR	1.8K 5% 1/8W	
	UC12	2401-001355	E.CAPACITOR	470UF 20% 10V			UR11	2001-000449	CARBON RESISTOR	2.2K 5% 1/8W	
	UC15	2201-000565	C.CAPASITOR	47NF 50V			UR110	2001-000995	CARBON RESISTOR	820 5% 1/8W	
	UC17	2401-001954	E.CAPACITOR	4.7UF 20% 50V			UR111	2001-000855	CARBON RESISTOR	560 5% 1/4W	
	UC19	2201-000565	C.CAPASITOR	47NF 50V			UR112	2001-000241	CARBON RESISTOR	1.5K 5% 1/8W	
	UC2	2201-000565	C.CAPASITOR	47NF 50V			UR113	2001-000855	CARBON RESISTOR	560 5% 1/4W	
	UC20	2201-000163	C.CAPASITOR	10NF +80-20% 50V			UR114	2001-000258	CARBON RESISTOR	1.8K 5% 1/8W	
	UC21	2201-000163	C.CAPASITOR	10NF +80-20% 50V			UR115	2001-000855	CARBON RESISTOR	560 5% 1/4W	
	UC3	2401-000475	E.CAPACITOR	10UF 20% 50V			UR116	2001-000591	CARBON RESISTOR	3.3K 5% 1/8W	
	UC30	2202-000781	C.CAPASITOR	100PF 10% 50V			UR117	2001-000449	CARBON RESISTOR	2.2K 5% 1/8W	
	UC32	2401-001364	E.CAPACITOR	470UF 20% 16V			UR118	2001-000890	CARBON RESISTOR	6.8K 5% 1/8W	
	UC4	2201-000565	C.CAPASITOR	47NF 50V			UR119	2001-000290	CARBON RESISTOR	10K 5% 1/8W	
	UC5	2201-000565	C.CAPASITOR	47NF 50V			UR12	2001-000734	CARBON RESISTOR	4.7K 5% 1/8W	
	UC6	2201-000423	C.CAPASITOR	0.027NF 5% 50V			UR120	2001-000890	CARBON RESISTOR	6.8K 5% 1/8W	
	UC7	2201-000423	C.CAPASITOR	0.027NF 5% 50V			UR121	2001-000290	CARBON RESISTOR	10K 5% 1/8W	

■ Electrical parts list (Front board)

Block No. 02

△	Item	Parts number	Parts name	Remarks	Area	△	Item	Parts number	Parts name	Remarks	Area
	UR122	2001-000522	CARBON RESISTOR	22K 5% 1/8W			UR47	2001-000850	CARBON RESISTOR	560K 5% 1/8W	
	UR123	2001-000010	CARBON RESISTOR	68K 5% 1/8W			UR48	2001-000295	CARBON RESISTOR	10M 5% 1/8W	
	UR124	2001-000734	CARBON RESISTOR	4.7K 5% 1/8W			UR49	2001-001178	CARBON RESISTOR	680 5% 1/2W	
	UR125	2001-000734	CARBON RESISTOR	4.7K 5% 1/8W			UR5	2001-000855	CARBON RESISTOR	560 5% 1/4W	
	UR126	2001-000591	CARBON RESISTOR	3.3K 5% 1/8W			UR50	2001-001178	CARBON RESISTOR	680 5% 1/2W	
	UR127	2001-000449	CARBON RESISTOR	2.2K 5% 1/8W			UR51	2001-001178	CARBON RESISTOR	680 5% 1/2W	
	UR128	2001-000258	CARBON RESISTOR	1.8K 5% 1/8W			UR52	2001-000449	CARBON RESISTOR	2.2K 5% 1/8W	
	UR129	2001-000241	CARBON RESISTOR	1.5K 5% 1/8W			UR54	2001-000995	CARBON RESISTOR	820 5% 1/8W	
	UR13	2001-000734	CARBON RESISTOR	4.7K 5% 1/8W			UR56	2001-000429	CARBON RESISTOR	1K 5% 1/8W	
	UR130	2001-000221	CARBON RESISTOR	1.2K 5% 1/8W			UR57	2001-000429	CARBON RESISTOR	1K 5% 1/8W	
	UR131	2001-000429	CARBON RESISTOR	1K 5% 1/8W			UR58	2001-000429	CARBON RESISTOR	1K 5% 1/8W	
	UR14	2001-000734	CARBON RESISTOR	4.7K 5% 1/8W			UR59	2001-000429	CARBON RESISTOR	1K 5% 1/8W	
	UR15	2001-000734	CARBON RESISTOR	4.7K 5% 1/8W			UR6	2001-000855	CARBON RESISTOR	560 5% 1/4W	
	UR150	2001-000786	CARBON RESISTOR	47K 5% 1/8W			UR60	2001-000429	CARBON RESISTOR	1K 5% 1/8W	
	UR151	2001-000786	CARBON RESISTOR	47K 5% 1/8W			UR61	2001-000429	CARBON RESISTOR	1K 5% 1/8W	
	UR152	2001-000786	CARBON RESISTOR	47K 5% 1/8W			UR62	2001-000429	CARBON RESISTOR	1K 5% 1/8W	
	UR153	2001-000786	CARBON RESISTOR	47K 5% 1/8W			UR63	2001-000290	CARBON RESISTOR	10K 5% 1/8W	
	UR154	2001-000290	CARBON RESISTOR	10K 5% 1/8W			UR64	2001-000290	CARBON RESISTOR	10K 5% 1/8W	
	UR16	2001-000734	CARBON RESISTOR	4.7K 5% 1/8W			UR65	2001-000290	CARBON RESISTOR	10K 5% 1/8W	
	UR162	2001-000290	CARBON RESISTOR	10K 5% 1/8W			UR66	2001-000290	CARBON RESISTOR	10K 5% 1/8W	
	UR164	2001-000515	CARBON RESISTOR	220 5% 1/8W			UR67	2001-000290	CARBON RESISTOR	10K 5% 1/8W	
	UR17	2001-000734	CARBON RESISTOR	4.7K 5% 1/8W			UR68	2001-000290	CARBON RESISTOR	10K 5% 1/8W	
	UR18	2001-000734	CARBON RESISTOR	4.7K 5% 1/8W			UR69	2001-000290	CARBON RESISTOR	10K 5% 1/8W	
	UR19	2001-000734	CARBON RESISTOR	4.7K 5% 1/8W			UR7	2001-000429	CARBON RESISTOR	1K 5% 1/8W	
	UR196	2001-000855	CARBON RESISTOR	560 5% 1/4W			UR70	2001-000290	CARBON RESISTOR	10K 5% 1/8W	
	UR2	2001-000995	CARBON RESISTOR	820 5% 1/8W			UR71	2001-000290	CARBON RESISTOR	10K 5% 1/8W	
	UR20	2001-000734	CARBON RESISTOR	4.7K 5% 1/8W			UR72	2001-000290	CARBON RESISTOR	10K 5% 1/8W	
	UR201	2001-000290	CARBON RESISTOR	10K 5% 1/8W			UR73	2001-000429	CARBON RESISTOR	1K 5% 1/8W	
	UR202	2001-000290	CARBON RESISTOR	10K 5% 1/8W			UR74	2001-000290	CARBON RESISTOR	10K 5% 1/8W	
	UR203	2001-000290	CARBON RESISTOR	10K 5% 1/8W			UR75	2001-000290	CARBON RESISTOR	10K 5% 1/8W	
	UR204	2001-000290	CARBON RESISTOR	10K 5% 1/8W			UR76	2001-000290	CARBON RESISTOR	10K 5% 1/8W	
	UR205	2001-000290	CARBON RESISTOR	10K 5% 1/8W			UR77	2001-000005	CARBON RESISTOR	390 5% 1/8W	
	UR206	2001-000290	CARBON RESISTOR	10K 5% 1/8W			UR79	2001-000290	CARBON RESISTOR	10K 5% 1/8W	
	UR207	2001-000290	CARBON RESISTOR	10K 5% 1/8W			UR8	2001-000221	CARBON RESISTOR	1.2K 5% 1/8W	
	UR208	2001-000429	CARBON RESISTOR	1K 5% 1/8W			UR80	2001-000290	CARBON RESISTOR	10K 5% 1/8W	
	UR209	2001-000857	CARBON RESISTOR	560 5% 1/4W			UR81	2001-000290	CARBON RESISTOR	10K 5% 1/8W	
	UR21	2001-000734	CARBON RESISTOR	4.7K 5% 1/8W			UR82	2001-000290	CARBON RESISTOR	10K 5% 1/8W	
	UR22	2001-000734	CARBON RESISTOR	4.7K 5% 1/8W			UR83	2001-000290	CARBON RESISTOR	10K 5% 1/8W	
	UR23	2001-000734	CARBON RESISTOR	4.7K 5% 1/8W			UR84	2001-000290	CARBON RESISTOR	10K 5% 1/8W	
	UR24	2001-000734	CARBON RESISTOR	4.7K 5% 1/8W			UR85	2001-000290	CARBON RESISTOR	10K 5% 1/8W	
	UR25	2001-000734	CARBON RESISTOR	4.7K 5% 1/8W			UR86	2001-000290	CARBON RESISTOR	10K 5% 1/8W	
	UR26	2001-000734	CARBON RESISTOR	4.7K 5% 1/8W			UR87	2001-000290	CARBON RESISTOR	10K 5% 1/8W	
	UR27	2001-000734	CARBON RESISTOR	4.7K 5% 1/8W			UR88	2001-000290	CARBON RESISTOR	10K 5% 1/8W	
	UR28	2001-000786	CARBON RESISTOR	47K 5% 1/8W			UR89	2001-000290	CARBON RESISTOR	10K 5% 1/8W	
	UR29	2001-000786	CARBON RESISTOR	47K 5% 1/8W			UR9	2001-000241	CARBON RESISTOR	1.5K 5% 1/8W	
	UR30	2001-000786	CARBON RESISTOR	47K 5% 1/8W			UR90	2001-000290	CARBON RESISTOR	10K 5% 1/8W	
	UR31	2001-000786	CARBON RESISTOR	47K 5% 1/8W			UR91	2001-000290	CARBON RESISTOR	10K 5% 1/8W	
	UR32	2001-000786	CARBON RESISTOR	47K 5% 1/8W			UR92	2001-000429	CARBON RESISTOR	1K 5% 1/8W	
	UR33	2001-000786	CARBON RESISTOR	47K 5% 1/8W			UR93	2001-000995	CARBON RESISTOR	820 5% 1/8W	
	UR34	2001-000290	CARBON RESISTOR	10K 5% 1/8W			UR94	2001-000221	CARBON RESISTOR	1.2K 5% 1/8W	
	UR35	2001-000290	CARBON RESISTOR	10K 5% 1/8W			UR95	2001-000522	CARBON RESISTOR	22K 5% 1/8W	
	UR36	2001-000290	CARBON RESISTOR	10K 5% 1/8W			USR1	2103-000341	ROTA V RESISTOR	2K 30% 1/10W	
	UR37	2001-000290	CARBON RESISTOR	10K 5% 1/8W			USW1	3404-000165	TACT SWITCH	12V 50MA 160GF	
	UR38	2001-000290	CARBON RESISTOR	10K 5% 1/8W			USW10	3404-000165	TACT SWITCH	12V 50MA 160GF	
	UR39	2001-000290	CARBON RESISTOR	10K 5% 1/8W			USW11	3404-000165	TACT SWITCH	12V 50MA 160GF	
	UR4	2001-000855	CARBON RESISTOR	560 5% 1/4W			USW12	3404-000165	TACT SWITCH	12V 50MA 160GF	
	UR40	2001-000591	CARBON RESISTOR	3.3K 5% 1/8W			USW13	3404-000165	TACT SWITCH	12V 50MA 160GF	
	UR41	2001-000429	CARBON RESISTOR	1K 5% 1/8W			USW14	3404-000165	TACT SWITCH	12V 50MA 160GF	
	UR42	2001-000429	CARBON RESISTOR	1K 5% 1/8W			USW15	3404-000165	TACT SWITCH	12V 50MA 160GF	
	UR43	2001-000435	CARBON RESISTOR	1M 5% 1/8W			USW16	3404-000165	TACT SWITCH	12V 50MA 160GF	
	UR44	2001-000734	CARBON RESISTOR	4.7K 5% 1/8W			USW17	3404-000165	TACT SWITCH	12V 50MA 160GF	
	UR45	2001-000508	CARBON RESISTOR	220K 5% 1/8W			USW18	3404-000165	TACT SWITCH	12V 50MA 160GF	
	UR46	2001-000793	CARBON RESISTOR	47 5% 1/8W			USW19	3404-000165	TACT SWITCH	12V 50MA 160GF	

■ Electrical parts list (Front board)

Block No. 02

△	Item	Parts number	Parts name	Remarks	Area
	USW20	3404-000165	TACT SWITCH	12V 50MA 160GF	
	USW21	3404-000165	TACT SWITCH	12V 50MA 160GF	
	USW22	3404-000165	TACT SWITCH	12V 50MA 160GF	
	USW23	3404-000165	TACT SWITCH	12V 50MA 160GF	
	USW28	3404-000165	TACT SWITCH	12V 50MA 160GF	
	USW29	3404-000165	TACT SWITCH	12V 50MA 160GF	
	USW3	3404-000165	TACT SWITCH	12V 50MA 160GF	
	USW30	3404-000165	TACT SWITCH	12V 50MA 160GF	
	USW31	3404-000165	TACT SWITCH	12V 50MA 160GF	
	USW32	3404-000165	TACT SWITCH	12V 50MA 160GF	
	USW4	3404-000165	TACT SWITCH	12V 50MA 160GF	
	USW5	3404-000165	TACT SWITCH	12V 50MA 160GF	
	USW6	3404-000165	TACT SWITCH	12V 50MA 160GF	
	USW7	3404-000165	TACT SWITCH	12V 50MA 160GF	
	USW8	3404-000165	TACT SWITCH	12V 50MA 160GF	
	USW9	3404-000165	TACT SWITCH	12V 50MA 160GF	
	UVR1	3406-001071	SWITCH ROTARY	5V	
	UVR2	3406-001047	SWITCH ROTARY	RE012104PVB25FINB	
	UVR3	3406-001047	SWITCH ROTARY	RE012104PVB25FINB	
	UX1	2802-000181	RESONATOR	6MHZ 0.3%	
	UX2	2801-001394	CRYSTAL	32.768KHZ	
	VFD	AH07-00040A	VFD	BJ821GNK	

■ Electrical parts list (Amp board)

Block No. 03

△	Item	Parts number	Parts name	Remarks	Area	△	Item	Parts number	Parts name	Remarks	Area
	ACE1	2202-000817	C.CAPASITOR	4.7NF 16V			AC48	2201-000381	C.CAPASITOR	22NF +80% 50V	
	ACE2	2202-000817	C.CAPASITOR	4.7NF 16V			AC49	2401-001975	E.CAPACITOR	47UF 20% 16V	
	ACE3	2202-000817	C.CAPASITOR	4.7NF 16V			AC5L	2201-000659	C.CAPASITOR	6PF 0.5PF 50V	
	ACE4	2202-000817	C.CAPASITOR	4.7NF 16V			AC5R	2201-000659	C.CAPASITOR	6PF 0.5PF 50V	
	ACE5	2202-000817	C.CAPASITOR	4.7NF 16V			AC50	2401-001895	E.CAPACITOR	100UF 20% 16V	
	ACE6	2202-000817	C.CAPASITOR	4.7NF 16V			AC51	2401-002180	E.CAPACITOR	2.2UF 20% 50V	
	ACE7	2202-000817	C.CAPASITOR	4.7NF 16V			AC52	2401-000871	E.CAPACITOR	220UF 20% 50V	
	ACE8	2202-000817	C.CAPASITOR	4.7NF 16V			AC54	2201-000783	C.CAPASITOR	100NF 50V	
	ACW1	3708-001094	CONNECTOR	13P 1.25MM			AC55	2201-000783	C.CAPASITOR	100NF 50V	
	ACW2	3711-003113	CONNECTOR	9P 1R 2.5MM			AC56	2301-000375	M.CAPACITOR	100NF 5% 50V	
	ACW5	3711-000820	CONNECTOR	2P 1.25MM			AC6L	2401-002180	E.CAPACITOR	2.2UF 20% 50V	
	ACW6	3711-000820	CONNECTOR	2P 1.25MM			AC7L	2401-001895	E.CAPACITOR	100UF 20% 16V	
	AC1	2201-000532	C.CAPASITOR	4.7NF 10% 50V			AC7R	2401-001895	E.CAPACITOR	100UF 20% 16V	
	AC1L	2201-000368	C.CAPASITOR	220PF 10% 50V			AC8	2201-000368	C.CAPASITOR	220PF 10% 50V	
	AC1R	2201-000368	C.CAPASITOR	220PF 10% 50V			AC8L	2401-000459	E.CAPACITOR	10UF 20% 35V	
	AC10	2401-000230	E.CAPACITOR	100UF 20% 100V			AC8R	2401-000459	E.CAPACITOR	10UF 20% 35V	
	AC10L	2301-000375	M.CAPACITOR	100NF 5% 50V			AC9	2401-000230	E.CAPACITOR	100UF 20% 100V	
	AC11	2201-000368	C.CAPASITOR	220PF 10% 50V			AC9L	2201-000381	C.CAPASITOR	22NF +80% 50V	
	AC12	2401-002180	E.CAPACITOR	2.2UF 20% 50V			AC9R	2201-000381	C.CAPASITOR	22NF +80% 50V	
	AC13	2401-001154	E.CAPACITOR	33UF 20% 10V			AD1	0401-000101	DIODE	1N4148 100V	
	AC14	2201-000659	C.CAPASITOR	6PF 0.5PF 50V			AD2	0401-000101	DIODE	1N4148 100V	
	AC15	2201-000659	C.CAPASITOR	6PF 0.5PF 50V			AD5	0402-000127	DIODE	1N4002 100V 1A	
	AC16	2401-001154	E.CAPACITOR	33UF 20% 10V			AD6	0401-000101	DIODE	1N4148 100V	
	AC17	2401-002180	E.CAPACITOR	2.2UF 20% 50V			AD7	0401-000101	DIODE	1N4148 100V	
	AC2	2201-000532	C.CAPASITOR	4.7NF 10% 50V			AD8	0401-000101	DIODE	1N4148 100V	
	AC2L	2401-000357	E.CAPACITOR	100UF 0.2 50V			AD9	0401-000101	DIODE	1N4148 100V	
	AC2R	2401-000357	E.CAPACITOR	100UF 0.2 50V		△	AIC1	1201-001582	IC	STK402-070 15P	
	AC20	2401-000230	E.CAPACITOR	100UF 20% 100V		△	AIC2	1201-001850	IC	STK402-120 15P	
	AC22	2301-000390	M.CAPACITOR	15NF 10% 50V			AIC3	1201-000163	IC	BA4560 8P	
	AC23	2401-001895	E.CAPACITOR	100UF 20% 16V			AIC4	1201-000163	IC	BA4560 8P	
	AC24	2301-000216	M.CAPACITOR	220NF 5% 50V			AIC5	1201-000163	IC	BA4560 8P	
	AC25	2301-000419	M.CAPACITOR	27NF 10% 50V			AIC6	1201-000163	IC	BA4560 8P	
	AC26	2401-001895	E.CAPACITOR	100UF 20% 16V			AIC7	1201-000163	IC	BA4560 8P	
	AC27	2201-000783	C.CAPASITOR	100NF 50V			AL1	AH27-90001A	SPRING COIL	2.2UH	
	AC28	2201-000783	C.CAPASITOR	100NF 50V			AL1L	AH27-90001A	SPRING COIL	2.2UH	
	AC29	2401-001895	E.CAPACITOR	100UF 20% 16V			AL1R	AH27-90001A	SPRING COIL	2.2UH	
	AC3	2301-000375	M.CAPACITOR	100NF 5% 50V			AL2	AH27-90001A	SPRING COIL	2.2UH	
	AC3R	2401-002180	E.CAPACITOR	2.2UF 20% 50V			AQ1	0501-000407	TRANSISTOR	KSD471A-Y	
	AC30	2401-001975	E.CAPACITOR	47UF 20% 16V			AQ11	0501-000398	TRANSISTOR	KSC945	
	AC301	2401-000385	E.CAPACITOR	10UF 20% 100V			AQ12	0501-000398	TRANSISTOR	KSC945	
	AC302	2401-000385	E.CAPACITOR	10UF 20% 100V			AQ13	0501-000398	TRANSISTOR	KSC945	
	AC303	2401-000385	E.CAPACITOR	10UF 20% 100V			AQ14	0501-000610	TRANSISTOR	KSA928A-Y	
	AC304	2401-000385	E.CAPACITOR	10UF 20% 100V			AQ2	0501-000407	TRANSISTOR	KSD471A-Y	
	AC31	2201-000146	C.CAPASITOR	100PF 5% 50V			AQ2L	0501-000407	TRANSISTOR	KSD471A-Y	
	AC32	2401-001895	E.CAPACITOR	100UF 20% 16V			AQ2R	0501-000407	TRANSISTOR	KSD471A-Y	
	AC33	2401-003621	E.CAPACITOR	47UF 20% 63V			AQ3	0501-000407	TRANSISTOR	KSD471A-Y	
	AC34	2401-001954	E.CAPACITOR	4.7UF 20% 50V			AQ6	0501-000010	TRANSISTOR	KSC1008	
	AC35	2301-000474	M.CAPACITOR	8.2NF 10% 50V			AQ8	0501-000610	TRANSISTOR	KSA928A-Y	
	AC36	2201-000565	C.CAPASITOR	47NF 50V			ARL1	3501-001197	RELAY	OSA-SS-212DM3	
	AC37	2401-001975	E.CAPACITOR	47UF 20% 16V			AR1	2003-000689	OMF RESISTOR	4.7 5% 1W	
	AC38	2401-001975	E.CAPACITOR	47UF 20% 16V			AR1L	2001-000290	CARBON RESISTOR	10K 5% 1/8W	
	AC39	2401-001912	E.CAPACITOR	1UF 20% 50V			AR1R	2001-000290	CARBON RESISTOR	10K 5% 1/8W	
	AC4	2301-000375	M.CAPACITOR	100NF 5% 50V			AR10	2003-000390	OMF RESISTOR	0.27 5% 2W	
	AC4L	2401-001154	E.CAPACITOR	33UF 20% 10V			AR11	2003-000390	OMF RESISTOR	0.27 5% 2W	
	AC4R	2401-001154	E.CAPACITOR	33UF 20% 10V			AR11L	2001-000522	CARBON RESISTOR	22K 5% 1/8W	
	AC40	2401-001954	E.CAPACITOR	4.7UF 20% 50V			AR11R	2001-000522	CARBON RESISTOR	22K 5% 1/8W	
	AC41	2401-001895	E.CAPACITOR	100UF 20% 16V			AR12	2003-000390	OMF RESISTOR	0.27 5% 2W	
	AC42	2301-000216	M.CAPACITOR	220NF 5% 50V			AR12L	2001-000281	CARBON RESISTOR	100 5% 1/8W	
	AC43	2401-001895	E.CAPACITOR	100UF 20% 16V			AR12R	2001-001000	CARBON RESISTOR	82K 5% 1/8W	
	AC44	2401-001895	E.CAPACITOR	100UF 20% 16V			AR13	2003-000008	OMF RESISTOR	100 5% 1W	
	AC45	2301-000216	M.CAPACITOR	220NF 5% 50V			AR13L	2001-000864	CARBON RESISTOR	56K 5% 1/8W	
	AC46	2301-000419	M.CAPACITOR	27NF 10% 50V			AR13R	2001-000281	CARBON RESISTOR	100 5% 1/8W	
	AC47	2201-000381	C.CAPASITOR	22NF +80% 50V			AR14	2001-000864	CARBON RESISTOR	56K 5% 1/8W	

■ Electrical parts list (Amp board)

Block No. 03

△	Item	Parts number	Parts name	Remarks	Area	△	Item	Parts number	Parts name	Remarks	Area
	AR14L	2001-001000	CARBON RESISTOR	82K 5% 1/8W			AR62	2001-000563	CARBON RESISTOR	27K 5% 1/8W	
	AR14R	2001-000864	CARBON RESISTOR	56K 5% 1/8W			AR63	2001-000281	CARBON RESISTOR	100 5% 1/8W	
	AR15	2001-000221	CARBON RESISTOR	1.2K 5% 1/8W			AR64	2001-000258	CARBON RESISTOR	1.8K 5% 1/8W	
	AR15L	2003-000689	OMF RESISTOR	4.7 5% 1W			AR65	2001-000864	CARBON RESISTOR	56K 5% 1/8W	
	AR15R	2003-000689	OMF RESISTOR	4.7 5% 1W			AR66	2001-000508	CARBON RESISTOR	220K 5% 1/8W	
	AR2	2003-000689	OMF RESISTOR	4.7 5% 1W			AR67	2001-000508	CARBON RESISTOR	220K 5% 1/8W	
	AR2L	2001-000258	CARBON RESISTOR	1.8K 5% 1/8W			AR68	2001-000281	CARBON RESISTOR	100 5% 1/8W	
	AR2R	2001-000258	CARBON RESISTOR	1.8K 5% 1/8W			AR69	2001-000522	CARBON RESISTOR	22K 5% 1/8W	
	AR20	2001-000660	CARBON RESISTOR	33K 5% 1/8W			AR7	2001-000221	CARBON RESISTOR	1.2K 5% 1/8W	
	AR21	2001-000429	CARBON RESISTOR	1K 5% 1/8W			AR7L	2001-000429	CARBON RESISTOR	1K 5% 1/8W	
	AR22	2001-000017	CARBON RESISTOR	4.7 5% 1/4W			AR7R	2001-000429	CARBON RESISTOR	1K 5% 1/8W	
	AR24	2001-000017	CARBON RESISTOR	4.7 5% 1/4W			AR70	2001-000522	CARBON RESISTOR	22K 5% 1/8W	
	AR25	2001-000515	CARBON RESISTOR	220 5% 1/8W			AR71	2001-000281	CARBON RESISTOR	100 5% 1/8W	
	AR26	2001-000273	CARBON RESISTOR	100K 5% 1/8W			AR72	2001-000281	CARBON RESISTOR	100 5% 1/8W	
	AR3	2001-000065	CARBON RESISTOR	10K 5% 1/4W			AR73	2001-001000	CARBON RESISTOR	82K 5% 1/8W	
	AR3L	2001-000864	CARBON RESISTOR	56K 5% 1/8W			AR74	2001-000273	CARBON RESISTOR	100K 5% 1/8W	
	AR3R	2001-000864	CARBON RESISTOR	56K 5% 1/8W			AR75	2001-000281	CARBON RESISTOR	100 5% 1/8W	
	AR30	2001-000786	CARBON RESISTOR	47K 5% 1/8W			AR77	2001-000065	CARBON RESISTOR	10K 5% 1/4W	
	AR300	2001-000411	CARBON RESISTOR	18K 5% 1/8W			AR78	2003-000008	OMF RESISTOR	100 5% 1W	
	AR301	2001-000786	CARBON RESISTOR	47K 5% 1/8W			AR79	2003-000008	OMF RESISTOR	100 5% 1W	
	AR302	2001-000786	CARBON RESISTOR	47K 5% 1/8W			AR8	2001-000864	CARBON RESISTOR	56K 5% 1/8W	
	AR303	2001-000734	CARBON RESISTOR	4.7K 5% 1/8W			AR8L	2001-000591	CARBON RESISTOR	3.3K 5% 1/8W	
	AR31	2001-000786	CARBON RESISTOR	47K 5% 1/8W			AR8R	2001-000591	CARBON RESISTOR	3.3K 5% 1/8W	
	AR310	2001-000786	CARBON RESISTOR	47K 5% 1/8W			AR80	2001-000660	CARBON RESISTOR	33K 5% 1/8W	
	AR311	2001-000786	CARBON RESISTOR	47K 5% 1/8W			AR81	2001-000660	CARBON RESISTOR	33K 5% 1/8W	
	AR312	2001-000786	CARBON RESISTOR	47K 5% 1/8W			AR82	2001-000660	CARBON RESISTOR	33K 5% 1/8W	
	AR32	2001-000273	CARBON RESISTOR	100K 5% 1/8W			AR83	2001-000786	CARBON RESISTOR	47K 5% 1/8W	
	AR33	2001-000281	CARBON RESISTOR	100 5% 1/8W			AR84	2001-000591	CARBON RESISTOR	3.3K 5% 1/8W	
	AR34	2001-000522	CARBON RESISTOR	22K 5% 1/8W			AR86	2001-000591	CARBON RESISTOR	3.3K 5% 1/8W	
	AR35	2001-000522	CARBON RESISTOR	22K 5% 1/8W			AR87	2001-000591	CARBON RESISTOR	3.3K 5% 1/8W	
	AR36	2001-000281	CARBON RESISTOR	100 5% 1/8W			AR88	2001-000449	CARBON RESISTOR	2.2K 5% 1/8W	
	AR37	2001-000258	CARBON RESISTOR	1.8K 5% 1/8W			AR89	2001-000786	CARBON RESISTOR	47K 5% 1/8W	
	AR38	2001-000802	CARBON RESISTOR	5.6K 5% 1/8W			AR9	2003-000390	OMF RESISTOR	0.27 5% 2W	
	AR39	2001-000522	CARBON RESISTOR	22K 5% 1/8W			LPC30	2401-001538	E.CAPACITOR	47UF 20% 25V	
	AR4	2001-000290	CARBON RESISTOR	10K 5% 1/8W			LPR2	2003-000710	OMF RESISTOR	47 2W	
	AR4L	2001-000864	CARBON RESISTOR	56K 5% 1/8W			LQ1	05041-000369	TRANSISTOR	KSC2331	
	AR4R	2001-000864	CARBON RESISTOR	56K 5% 1/8W			LQ2	0501-000610	TRANSISTOR	KSA928A-Y	
	AR40	2001-000508	CARBON RESISTOR	220K 5% 1/8W			SPK	3716-001164	TERMINAL BLOCK	8P	
	AR41	2001-000281	CARBON RESISTOR	100 5% 1/8W							
	AR42	2001-000008	CARBON RESISTOR	33K 5% 1/8W							
	AR43	2001-000331	CARBON RESISTOR	12K 5% 1/8W							
	AR44	2001-000273	CARBON RESISTOR	100K 5% 1/8W							
	AR45	2001-000786	CARBON RESISTOR	47K 5% 1/8W							
	AR46	2001-000281	CARBON RESISTOR	100 5% 1/8W							
	AR47	2001-000273	CARBON RESISTOR	100K 5% 1/8W							
	AR48	2001-000273	CARBON RESISTOR	100K 5% 1/8W							
	AR49	2001-000548	CARBON RESISTOR	270K 5% 1/8W							
	AR5	2003-000008	OMF RESISTOR	100 5% 1W							
	AR50	2001-000563	CARBON RESISTOR	27K 5% 1/8W							
	AR51	2001-000273	CARBON RESISTOR	100K 5% 1/8W							
	AR52	2001-000977	CARBON RESISTOR	8.2K 5% 1/8W							
	AR53	2001-000508	CARBON RESISTOR	220K 5% 1/8W							
	AR54	2001-000449	CARBON RESISTOR	2.2K 5% 1/8W							
	AR55	2001-000786	CARBON RESISTOR	47K 5% 1/8W							
	AR56	2001-000554	CARBON RESISTOR	270K 5% 1/8W							
	AR57	2001-000802	CARBON RESISTOR	5.6K 5% 1/8W							
	AR58	2001-000273	CARBON RESISTOR	100K 5% 1/8W							
	AR59	2001-000281	CARBON RESISTOR	100 5% 1/8W							
	AR6	2001-000290	CARBON RESISTOR	10K 5% 1/8W							
	AR6L	2001-000017	CARBON RESISTOR	4.7 5% 1/4W							
	AR6R	2001-000017	CARBON RESISTOR	4.7 5% 1/4W							
	AR60	2001-000522	CARBON RESISTOR	22K 5% 1/8W							
	AR61	2001-000522	CARBON RESISTOR	22K 5% 1/8W							

■ Electrical parts list (Power supply board) Block No. 04

△	Item	Parts number	Parts name	Remarks	Area
	CW301	3710-000209	CONNECTOR	5P 1R 2MM	
	CW302	3710-000209	CONNECTOR	5P 1R 2MM	
	C301	2401-000907	E.CAPACITOR	22UF 20% 16V	
	C302	2401-000438	E.CAPACITOR	10UF 20% 25V	
	C303	2301-000216	M.CAPACITOR	220NF 5% 50V	
	C304	2301-000469	M.CAPACITOR	68NF 10% 50V	
	C305	2401-000438	E.CAPACITOR	10UF 20% 25V	
	C306	2301-000462	M.CAPACITOR	6.8NF 10% 50V	
	C307	2401-002180	E.CAPACITOR	2.2UF 20% 50V	
	C308	2401-000438	E.CAPACITOR	10UF 20% 25V	
	C309	2401-000438	E.CAPACITOR	10UF 20% 25V	
	C310	2401-001572	E.CAPACITOR	47UF 20% 50V	
	C311	2401-001912	E.CAPACITOR	1UF 20% 50V	
	HRFS2	3602-000147	FUSE CLIP		
	HRFS3	3602-000147	FUSE CLIP		
	HRFS4	3602-000147	FUSE CLIP		
	IC301	1204-000393	IC	BA3837 16P	
	RCW2	3711-000190	CONNECTOR	1WALL 2P 1R	
△	RFS2	3601-000297	FUSE	5A 250V	
△	RFS3	3601-000282	FUSE	4A 250V	
△	RFS4	3601-000282	FUSE	4A 250V	
	RL3	AH27-10001F	CHOKE COIL	27UF	
	RL4	AH27-10001F	CHOKE COIL	27UF	
△	RSW1	AH34-00013A	VOLTAGE SELECTOR	250V AC 5A	
	R301	2001-000027	CARBON RESISTOR	100 5% 1/4W	
	R302	2001-000522	CARBON RESISTOR	22K 5% 1/8W	
	R303	2001-000522	CARBON RESISTOR	22K 5% 1/8W	
	R304	2001-000802	CARBON RESISTOR	5.6K 5% 1/8W	
	R305	2001-000890	CARBON RESISTOR	6.8K 5% 1/8W	
	R306	2001-000786	CARBON RESISTOR	47K 5% 1/8W	
	R307	2001-000281	CARBON RESISTOR	100 5% 1/8W	
	R308	2001-000522	CARBON RESISTOR	22K 5% 1/8W	
	R309	2001-000802	CARBON RESISTOR	5.6K 5% 1/8W	
	ZD301	0403-000372	ZENER DIODE	UZ9.1BM 9.1V	

■ Electrical parts list (CD board)

Block No. 05

△	Item	Parts number	Parts name	Remarks	Area	△	Item	Parts number	Parts name	Remarks	Area
	CW101	3708-001252	CONNECTOR	16P 1MM			C403	2203-000178	CHIP CAPACITOR	100NF 25V 1608	
	CW102	AH39-20561P	LEAD CONNECTOR	5295 6P 150MM			C501L	2401-001954	E.CAPACITOR	4.7UF 20% 50V	
	CW103	3708-001131	CONNECTOR	5P			C501R	2401-001954	E.CAPACITOR	4.7UF 20% 50V	
	CW104	3711-003379	CONNECTOR	35366-0310			C502L	2203-000440	CHIP CAPACITOR	1NF 50V 1608	
	CW105	3708-001438	COMMECTOR	22P 1.25MM			C502R	2203-000440	CHIP CAPACITOR	1NF 50V 1608	
	CW106	AH39-20025S	LEAD CONNECTOR				C801	2401-000795	E.CAPACITOR	220UF 20% 16V	
	CW107	3711-000906	CONNECTOR	3P 1R 2MM			C804	2202-000243	C.CAPACITOR	33PF 5% 50V	
	C101	2401-000240	E.CAPACITOR	100UF 20% 10V			C805	2202-000243	C.CAPACITOR	33PF 5% 50V	
	C102	2203-000440	CHIP CAPACITOR	1NF 50V 1608			C806	2202-000243	C.CAPACITOR	33PF 5% 50V	
	C103	2203-000257	CHIP CAPACITOR	10NF 50V 1608			D301	0402-000151	DIODE	1N5392 100V	
	C104	2203-000257	CHIP CAPACITOR	10NF 50V 1608			IC101	1204-001799	IC	KB9226 48P	
	C105	2203-000257	CHIP CAPACITOR	10NF 50V 1608			IC201	0904-001524	IC	5L9290 48P	
	C106	2203-001140	CHIP CAPACITOR	68NF 16V 1608			IC301	1003-000179	IC	KA9258D 28P	
	C107	2401-000240	E.CAPACITOR	100UF 20% 10V			IC401	1003-001162	IC	KA3082 10PIN	
	C108	2401-000240	E.CAPACITOR	100UF 20% 10V			IC402	1003-001162	IC	KA3082 10PIN	
	C111	2203-000888	CHIP CAPACITOR	4.7NF 50V 1608			IC801	AC14-12001G	IC	KA78L05Z	
	C112	2203-000888	CHIP CAPACITOR	4.7NF 50V 1608			J1	2007-000070	CHIP RESISTOR	0 1/16W 1608	
	C113	2202-000780	C.CAPACITOR	100NF +80-20% 50V			J10	2007-000070	CHIP RESISTOR	0 1/16W 1608	
	C114	2401-001954	E.CAPACITOR	4.7UF 20% 50V			J12	2007-000029	CHIP RESISTOR	0 1/10W 2012	
	C115	2203-000206	CHIP CAPACITOR	100NF 50V 2012			J13	2007-000070	CHIP RESISTOR	0 1/16W 1608	
	C116	2203-000206	CHIP CAPACITOR	100NF 50V 2012			J2	2007-000070	CHIP RESISTOR	0 1/16W 1608	
	C117	2203-000440	CHIP CAPACITOR	1NF 50V 1608			J3	2007-000070	CHIP RESISTOR	0 1/16W 1608	
	C118	2203-000206	CHIP CAPACITOR	100NF 50V 2012			J4	2007-000029	CHIP RESISTOR	0 1/10W 2012	
	C119	2203-000800	CHIP CAPACITOR	33NF 25V 1608			J5	2007-000070	CHIP RESISTOR	0 1/16W 1608	
	C120	2401-001968	E.CAPACITOR	470NF 20% 50V			J7	2007-000029	CHIP RESISTOR	0 1/10W 2012	
	C121	2203-000257	CHIP CAPACITOR	10NF 50V 1608			J8	2007-000029	CHIP RESISTOR	0 1/10W 2012	
	C122	2203-001140	CHIP CAPACITOR	68NF 16V 1608			J9	2007-000029	CHIP RESISTOR	0 1/10W 2012	
	C123	2401-000419	E.CAPACITOR	10UF 20% 16V			MJ1	2007-000070	CHIP RESISTOR	0 1/16W 1608	
	C124	2203-000206	CHIP CAPACITOR	100NF 50V 2012			MR1	2007-000090	CHIP RESISTOR	10K 1/16W 1608	
	C124A	2203-001063	CHIP CAPACITOR	56NF 16V 1608			MR2	2007-000090	CHIP RESISTOR	10K 1/16W 1608	
	C126	2203-000491	CHIP CAPACITOR	2.2NF 50V 1608			MR3	2007-000090	CHIP RESISTOR	10K 1/16W 1608	
	C127	2203-000592	CHIP CAPACITOR	0.22NF 50V 1608			Q101	0501-000314	TRANSISTOR	KSA812	
	C128	2203-000800	CHIP CAPACITOR	33NF 25V 1608			Q301	0501-000610	TRANSISTOR	KSA928A	
	C129	2203-000206	CHIP CAPACITOR	100NF 50V 2012			Q302	0501-000010	TRANSISTOR	KSC1008-YTA	
	C130	2203-000206	CHIP CAPACITOR	100NF 50V 2012			R101	2007-000098	CHIP RESISTOR	56K 1/16W 1608	
	C131	2203-000178	CHIP CAPACITOR	100NF 25V 1608			R102	2007-000098	CHIP RESISTOR	56K 1/16W 1608	
	C132	2203-000178	CHIP CAPACITOR	100NF 25V 1608			R103	2007-000098	CHIP RESISTOR	56K 1/16W 1608	
	C133	2401-000240	E.CAPACITOR	100UF 20% 10V			R104	2007-000098	CHIP RESISTOR	56K 1/16W 1608	
	C134	2203-000257	CHIP CAPACITOR	10NF 50V 1608			R105	2007-000100	CHIP RESISTOR	68K 1/16W 1608	
	C135	2401-001968	E.CAPACITOR	470NF 20% 50V			R106	2007-000100	CHIP RESISTOR	68K 1/16W 1608	
	C201	2203-000681	CHIP CAPACITOR	27PF 50V 1608			R107	2007-000115	CHIP RESISTOR	82 1/16W 1608	
	C202	2203-000681	CHIP CAPACITOR	27PF 50V 1608			R108	2007-000308	CHIP RESISTOR	10 1/10W 2012	
	C203	2203-001222	CHIP CAPACITOR	820PF 50V 1608			R110	2007-000455	CHIP RESISTOR	18K 1/16W 1608	
	C204	2203-000178	CHIP CAPACITOR	100NF 25V 1608			R112	2007-001196	CHIP RESISTOR	820K 1/16W 1608	
	C205	2203-000178	CHIP CAPACITOR	100NF 25V 1608			R113	2007-000132	CHIP RESISTOR	180K 1/16W 1608	
	C207	2203-000257	CHIP CAPACITOR	10NF 50V 1608			R114	2007-000100	CHIP RESISTOR	68K 1/16W 1608	
	C208	2203-000851	CHIP CAPACITOR	0.039NF 50V 1608			R115	2007-001179	CHIP RESISTOR	8.2K 1/16W 1608	
	C209	2203-000257	CHIP CAPACITOR	10NF 50V 1608			R116	2007-000093	CHIP RESISTOR	20K 1/16W 1608	
	C211	2203-000178	CHIP CAPACITOR	100NF 25V 1608			R117	2001-000331	CARBON RESISTOR	12K 5% 1/8W	
	C212	2401-000240	E.CAPACITOR	100UF 20% 10V			R118	2007-000109	CHIP RESISTOR	1M 1/16W 1608	
	C213	2203-000257	CHIP CAPACITOR	10NF 50V 1608			R119	2007-000101	CHIP RESISTOR	82K 1/16W 1608	
	C214	2203-000257	CHIP CAPACITOR	10NF 50V 1608			R120	2007-000100	CHIP RESISTOR	68K 1/16W 1608	
	C215	2401-000240	E.CAPACITOR	100UF 20% 10V			R120	2007-000098	CHIP RESISTOR	56K 1/16W 1608	
	C216	2203-000257	CHIP CAPACITOR	10NF 50V 1608			R121	2007-000092	CHIP RESISTOR	15K 1/16W 1608	
	C217	2401-000240	E.CAPACITOR	100UF 20% 10V			R123	2007-000097	CHIP RESISTOR	47K 1/16W 1608	
	C218	2203-000257	CHIP CAPACITOR	10NF 50V 1608			R124	2007-000103	CHIP RESISTOR	120K 1/16W 1608	
	C301	2401-001102	E.CAPACITOR	330UF 20% 16V			R125	2007-000103	CHIP RESISTOR	120K 1/16W 1608	
	C302	2401-000240	E.CAPACITOR	100UF 20% 10V			R126	2007-000098	CHIP RESISTOR	56K 1/16W 1608	
	C303	2401-000240	E.CAPACITOR	100UF 20% 10V			R127	2007-000100	CHIP RESISTOR	68K 1/16W 1608	
	C304	2203-000257	CHIP CAPACITOR	10NF 50V 1608			R128	2007-000129	CHIP RESISTOR	27K 1/16W 1608	
	C305	2203-000257	CHIP CAPACITOR	10NF 50V 1608			R132	2007-000090	CHIP RESISTOR	10K 1/16W 1608	
	C401	2203-000257	CHIP CAPACITOR	10NF 50V 1608			R133	2007-000090	CHIP RESISTOR	10K 1/16W 1608	
	C402	2203-000257	CHIP CAPACITOR	10NF 50V 1608			R201	2007-000074	CHIP RESISTOR	100 1/16W 1608	

■ Electrical parts list (CD board)

Block No. 05

△	Item	Parts number	Parts name	Remarks	Area
	R202	2007-000109	CHIP RESISTOR	1M 1/16W 1608	
	R204	2007-000078	CHIP RESISTOR	1K 1/16W 1608	
	R205	2007-000078	CHIP RESISTOR	1K 1/16W 1608	
	R206	2007-000078	CHIP RESISTOR	1K 1/16W 1608	
	R207	2007-000078	CHIP RESISTOR	1K 1/16W 1608	
	R208	2007-000078	CHIP RESISTOR	1K 1/16W 1608	
	R209	2007-000078	CHIP RESISTOR	1K 1/16W 1608	
	R210	2007-000075	CHIP RESISTOR	220 1/16W 1608	
	R301	2008-000140	FUS RESISTOR	2.2 5% 1/2W	
	R302	2001-001006	CARBON RESISTOR	82 5% 1/8W	
	R501L	2007-000102	CHIP RESISTOR	100K 1/16W	
	R501R	2007-000102	CHIP RESISTOR	100K 1/16W	
	R502L	2007-000074	CHIP RESISTOR	100 1/16W 1608	
	R502R	2007-000074	CHIP RESISTOR	100 1/16W 1608	
	R803	2001-000429	CARBON RESISTOR	1K 5% 1/8W	
	R804	2007-000078	CHIP RESISTOR	1K 1/16W 1608	
	R805	2007-000078	CHIP RESISTOR	1K 1/16W 1608	
	R806	2007-000078	CHIP RESISTOR	1K 1/16W 1608	
	R807	2007-000084	CHIP RESISTOR	4.7K 1/16W 1608	
	R808	2007-000084	CHIP RESISTOR	4.7K 1/16W 1608	
	R809	2007-000084	CHIP RESISTOR	4.7K 1/16W 1608	
	R810	2001-000515	CARBON RESISTOR	220 5% 1/8W	
	R811	2007-000078	CHIP RESISTOR	1K 1/16W 1608	
	R813	2007-000097	CHIP RESISTOR	47K 1/16W 1608	
	X201	2802-000211	RESONATOR	16.93MHZ 0.5%	
	ZD301	0403-000344	ZENER DIODE	UZ3.9B 3.9V	
	ZD401	0403-000361	ZENER DIODE	UZ6.2BSB 6.2V	
	ZD402	0403-000352	ZENER DIODE	UZ4.7BM 4.7V	

< MEMO >

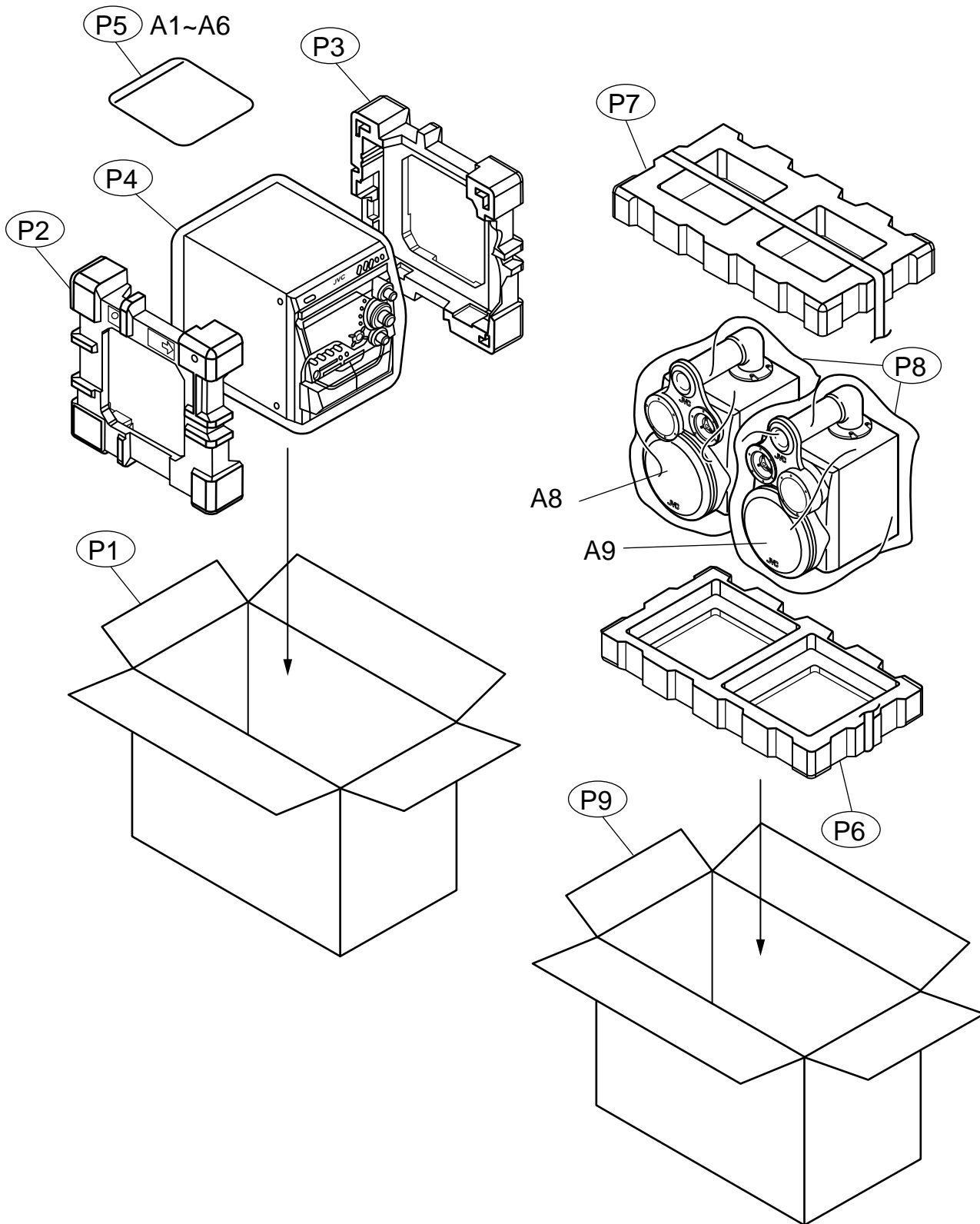
Packing materials and accessories parts list

Block No.

M	3	M	M
---	---	---	---

Block No.

M	5	M	M
---	---	---	---



■ Parts list (Packig)

Block No. M3MM

△	Item	Parts number	Parts name	Q'ty	Description	Area
	P 1	AH69-00603G	PACKING CASE	1	SET	
	P 2	AH69-00592A	CUSHION L	1	SET	
	P 3	AH69-00593A	CUSHION R	1	SET	
	P 4	AH69-30012T	POLY BAG	1	SET	
	P 5	AH69-00525A	POLY BAG	1	INSTRUCTIONS	
	P 6	AH81-00694M	CUSHION BOTTOM	1	SPEAKER	
	P 7	AH81-00694L	CUSHION TOP	1	SPEAKER	
	P 8	AH81-00694K	POLY BAG	2	SPEAKER	
	P 9	AH81-00694N	PACKING CASE	1	SPEAKER	

■ Parts list (Accessories)

Block No. M5MM

△	Item	Parts number	Parts name	Q'ty	Description	Area
	A 1	AH68-01063M	INSTRUCTIONS	1	ENG	UJ
		AH68-01063K	INSTRUCTIONS	1	ENG SPA POR	UW
	A 2	AH59-01045E	REMOCON ASSY	1	RM-SMXG700U	
	A 3	AH38-10001A	FM-WIRE	1		
	A 4	AH42-20001P	ANT LOOP	1		
	A 5	-----	BATTERY	2		
	A 6	3721-000117	CONVERSION PLUG	1		
	A 8	MXGT700-SPBOX-L	SPK.WITH BOX	1		
	A 9	MXGT700-SPBOX-R	SPK.WITH BOX	1		